

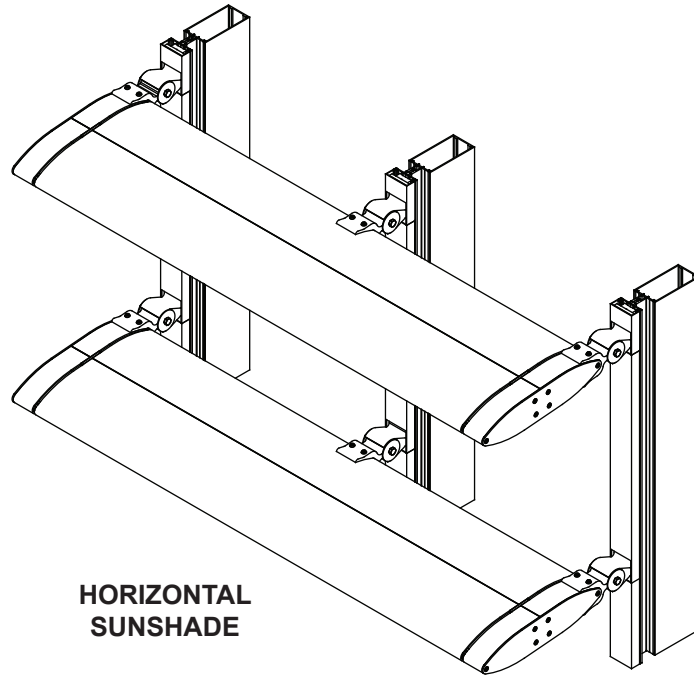
Features

- Standardized solution for seamless integration with 1600 Wall System®1, 1600UT System®1, 1600 Wall System®5, 1600 Wall System®2 SSG, 1600 SS and 1600 SS SSG curtain wall systems
- Highly versatile design allows for blades to be mounted in horizontal or vertical configurations
- Innovative mounting design allows for multiple angles in both horizontal and vertical configurations
- Tested for combined wind, snow and dead loads
- Thermally broken attachment method for 1600 Wall System®1, 1600UT System®1, 1600 Wall System®2 SSG, 1600 SS and 1600 SS SSG curtain wall systems
- Inside and outside 90° and 135° corners available
- Multiple blade sizes ranging from 6" (152.4) to 14" (355.6) deep
- Screw spline construction
- Ability to have multiple rows of horizontal single blades per opening
- Qualifies for up to three different LEED certification criteria
- Design allows for thermal expansion and contraction
- Permanodic® anodized finishes option
- Painted finishes in standard and custom choices
- Shading performance can be analyzed by Solector® Sun Shading Estimator Tool

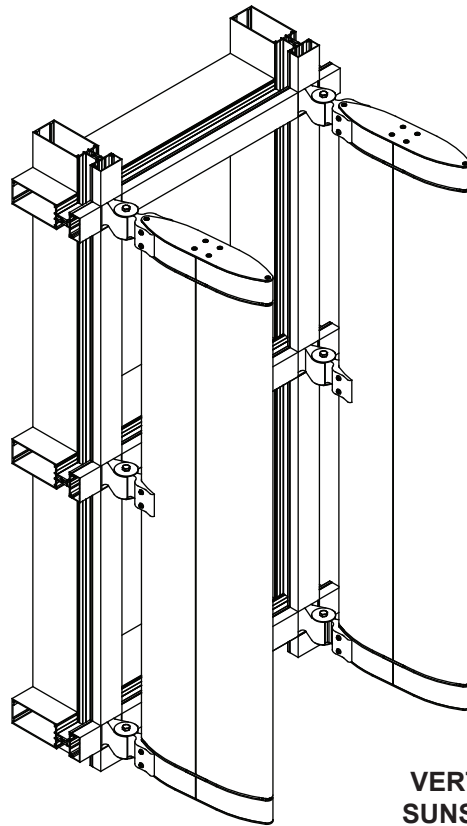
Product Application

- Curtain wall facades
- Enclosures to hide roof mounted machine rooms or mechanical systems
- Interior Application

For specific product applications,
consult your Kawneer representative.



**HORIZONTAL
SUNSHADE**



**VERTICAL
SUNSHADE**

Laws and building and safety codes governing the design and use of Kawneer products, such as glazed entrance, window, and curtain wall products, vary widely. Kawneer does not control the selection of product configurations, operating hardware, or glazing materials, and assumes no responsibility therefor.

Kawneer reserves the right to change configuration without prior notice when deemed necessary for product improvement.
© 2012, Kawneer Company, Inc.

Architects – Most extrusions illustrated in this catalog are standard products for Kawneer. These concepts have been expanded and modified to afford you design freedom. Some miscellaneous details are non-standard and are intended to demonstrate how the system can be modified to expand design flexibility. Please contact your Kawneer representative for further assistance.

1600 WALL SYSTEM®1	
HORIZONTAL BLADE DETAILS.....	4
VERTICAL BLADE DETAILS.....	5
1600UT SYSTEM®1 (1" INFILL)	
HORIZONTAL BLADE DETAILS.....	6
VERTICAL BLADE DETAILS.....	7
1600UT SYSTEM®1 (1-3/4" INFILL)	
HORIZONTAL BLADE DETAILS.....	8
VERTICAL BLADE DETAILS.....	9
1600 WALL SYSTEM®5	
HORIZONTAL BLADE DETAILS.....	10
VERTICAL BLADE DETAILS.....	11
1600 SS	
HORIZONTAL BLADE DETAILS.....	12
VERTICAL BLADE DETAILS.....	13
1600 WALL SYSTEM®2 SSG	
HORIZONTAL BLADE DETAILS.....	14
1600 SS SSG	
HORIZONTAL BLADE DETAILS.....	15
CORNER DETAILS.....	16-19
SPLICE JOINT / END CAP DETAILS.....	20
BLADE OPTIONS.....	21
BLADE ANGLE CONFIGURATIONS.....	22, 23
LOAD CHARTS.....	24

Metric (SI) conversion figures are included throughout these details for reference. Numbers in parentheses () are millimeters unless otherwise noted.

The following metric (SI) units are found in these details:

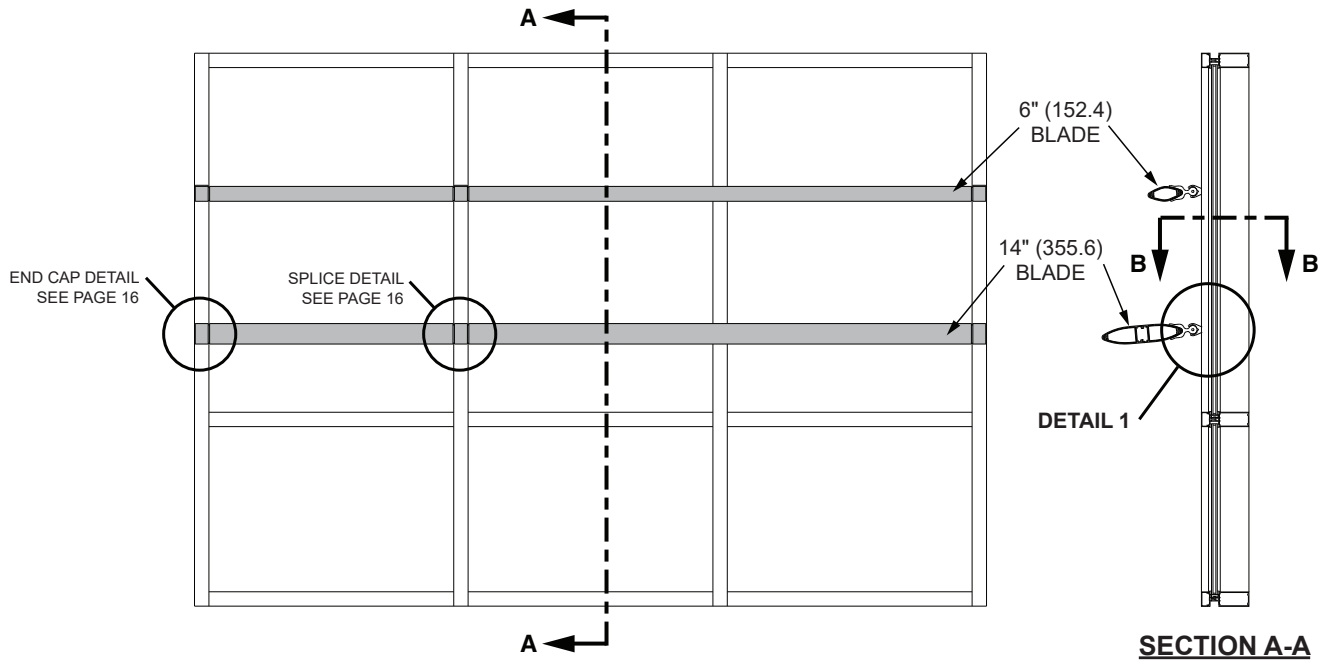
- m – meter
- cm – centimeter
- mm – millimeter
- s – second
- Pa – pascal
- MPa – megapascal

Laws and building and safety codes governing the design and use of Kawneer products, such as glazed entrance, window, and curtain wall products, vary widely. Kawneer does not control the selection of product configurations, operating hardware, or glazing materials, and assumes no responsibility therefor.

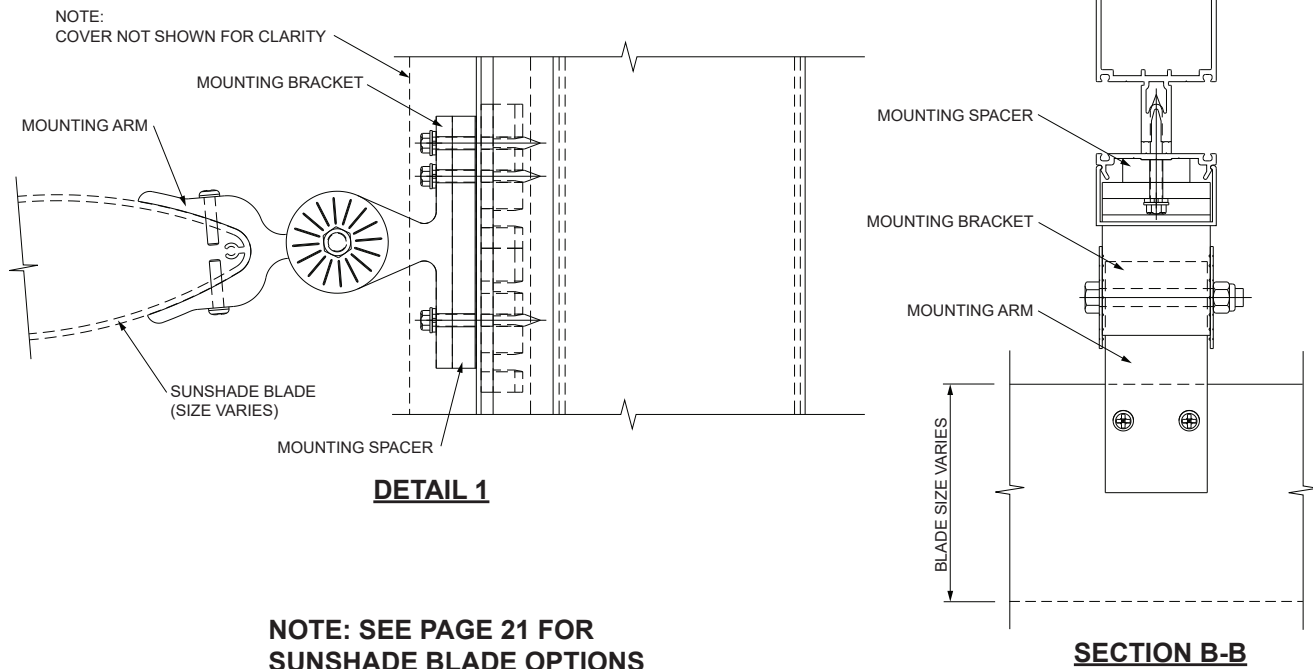
Kawneer reserves the right to change configuration without prior notice when deemed necessary for product improvement.
© 2012, Kawneer Company, Inc.

Additional information and CAD details are available at www.kawneer.com

HORIZONTAL BLADE WITH 1600 WALL SYSTEM®1 TYPICAL ELEVATION



NOTE:
Horizontal sunshades are not recommended directly over entrances and walkways to eliminate any risk of injury due to falling ice or snow.



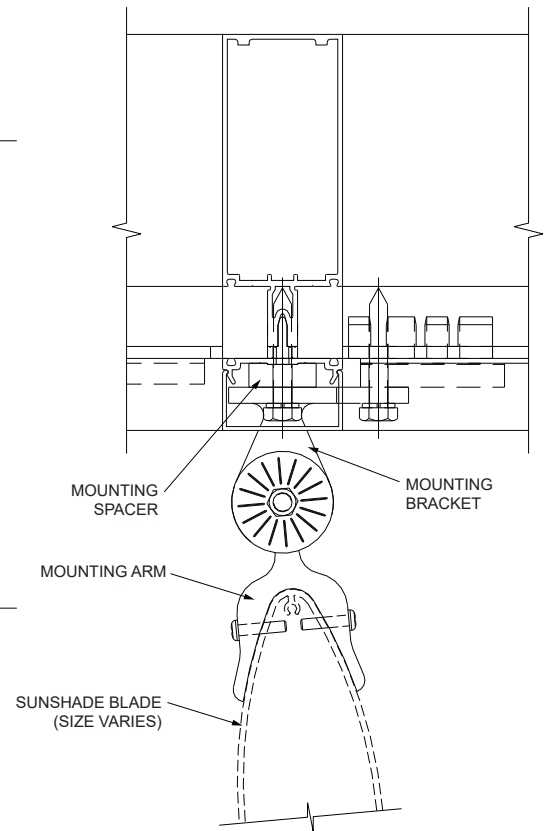
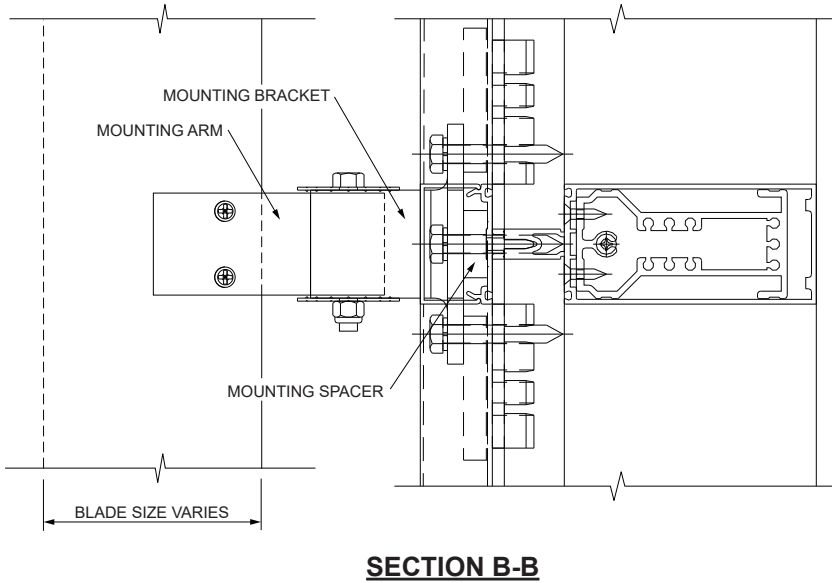
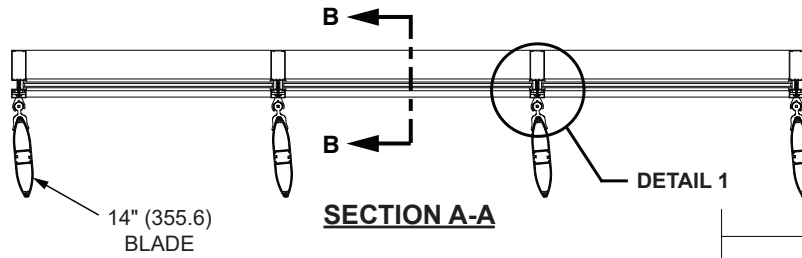
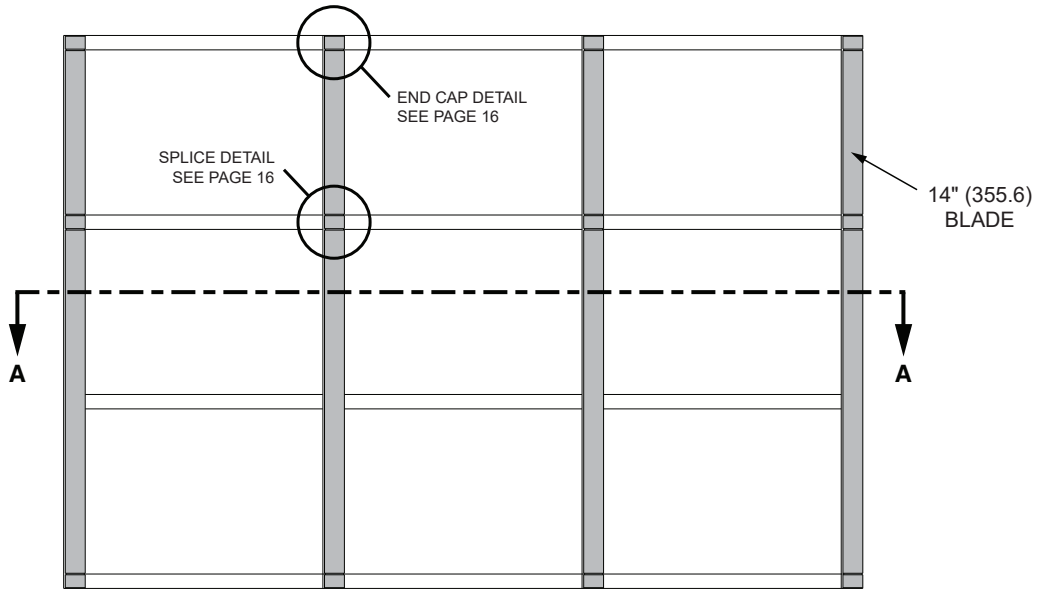
**NOTE: SEE PAGE 21 FOR
SUNSHADE BLADE OPTIONS**

Laws and building and safety codes governing the design and use of Kawneer products, such as glazed entrance, window, and curtain wall products, vary widely. Kawneer does not control the selection of product configurations, operating hardware, or glazing materials, and assumes no responsibility therefor.

Kawneer reserves the right to change configuration without prior notice when deemed necessary for product improvement.
© 2012, Kawneer Company, Inc.

Additional information and CAD details are available at www.kawneer.com

VERTICAL BLADE WITH 1600 WALL SYSTEM®1 TYPICAL ELEVATION



**NOTE: SEE PAGE 21 FOR
SUNSHADE BLADE OPTIONS**

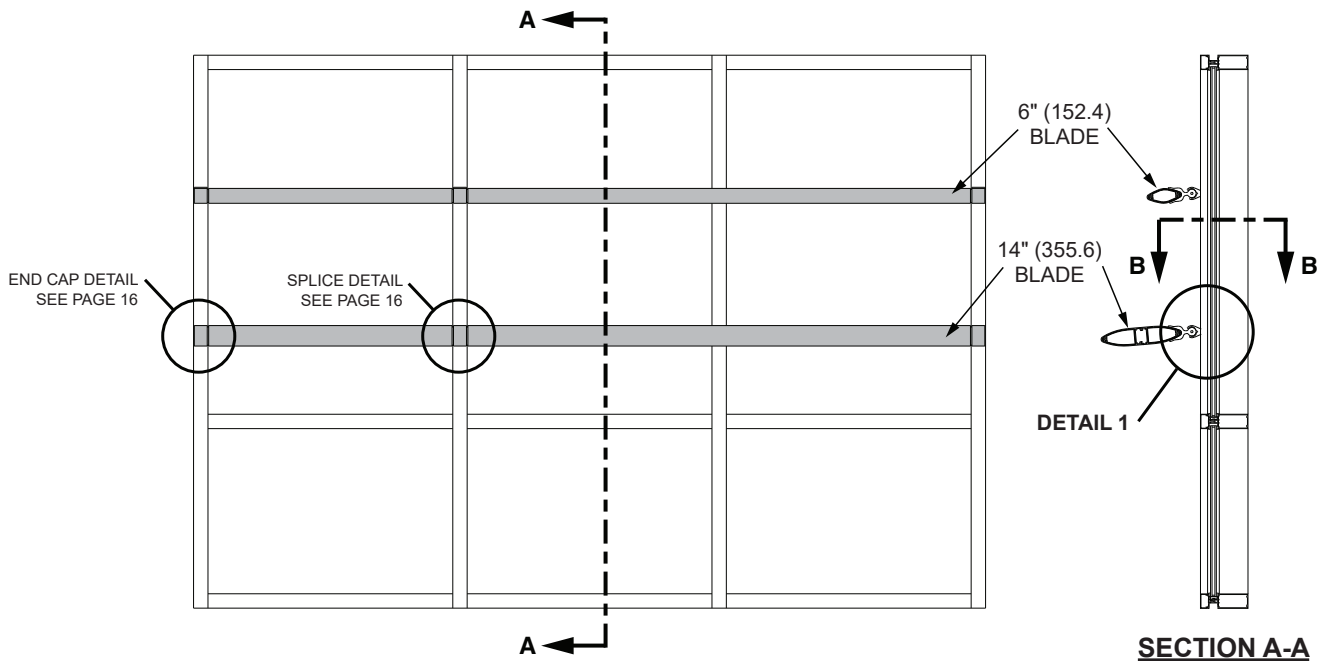
DETAIL 1

Laws and building and safety codes governing the design and use of Kawneer products, such as glazed entrance, window, and curtain wall products, vary widely. Kawneer does not control the selection of product configurations, operating hardware, or glazing materials, and assumes no responsibility therefor.

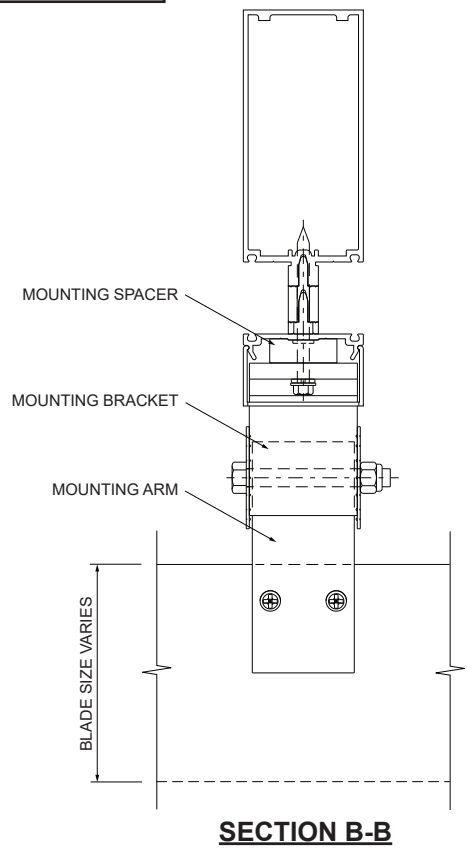
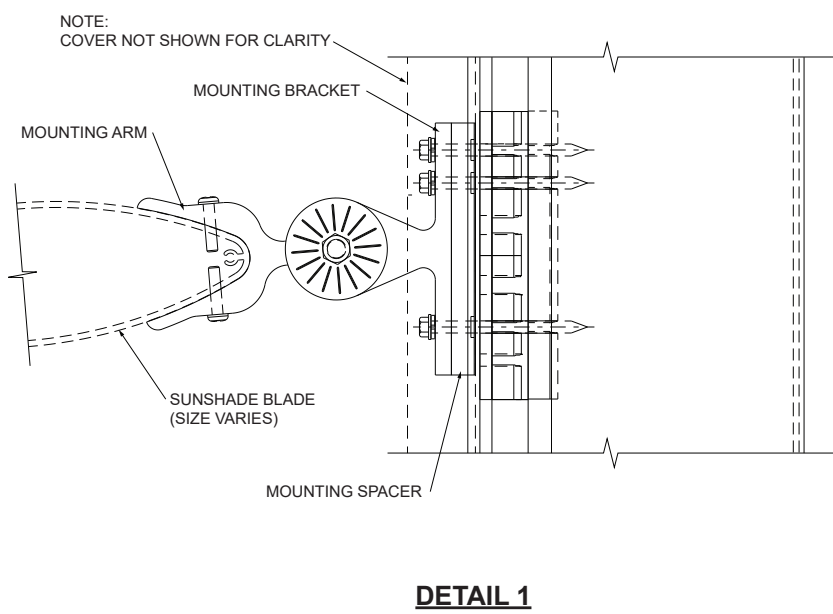
Kawneer reserves the right to change configuration without prior notice when deemed necessary for product improvement.
© 2012, Kawneer Company, Inc.

Additional information and CAD details are available at www.kawneer.com

HORIZONTAL BLADE WITH 1600UT SYSTEM®1 TYPICAL ELEVATION



NOTE:
Horizontal sunshades are not recommended directly over entrances and walkways to eliminate any risk of injury due to falling ice or snow.



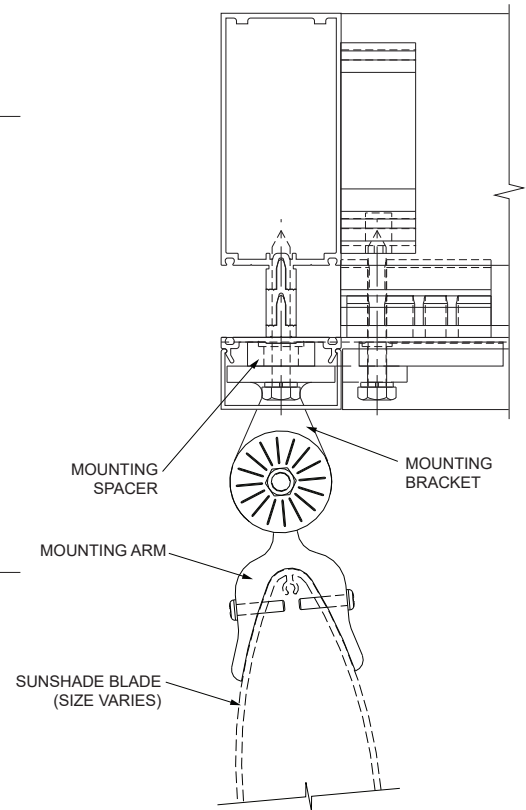
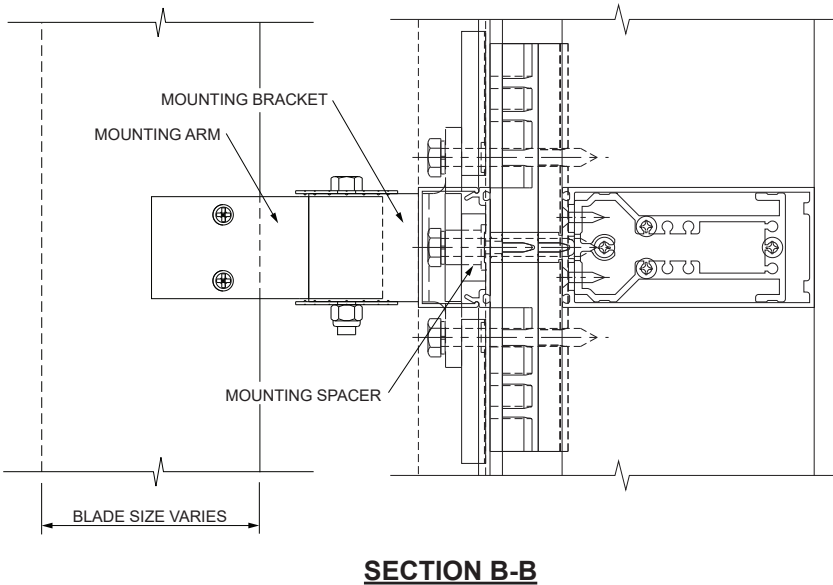
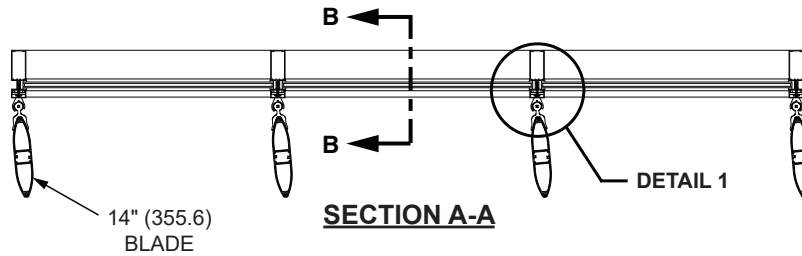
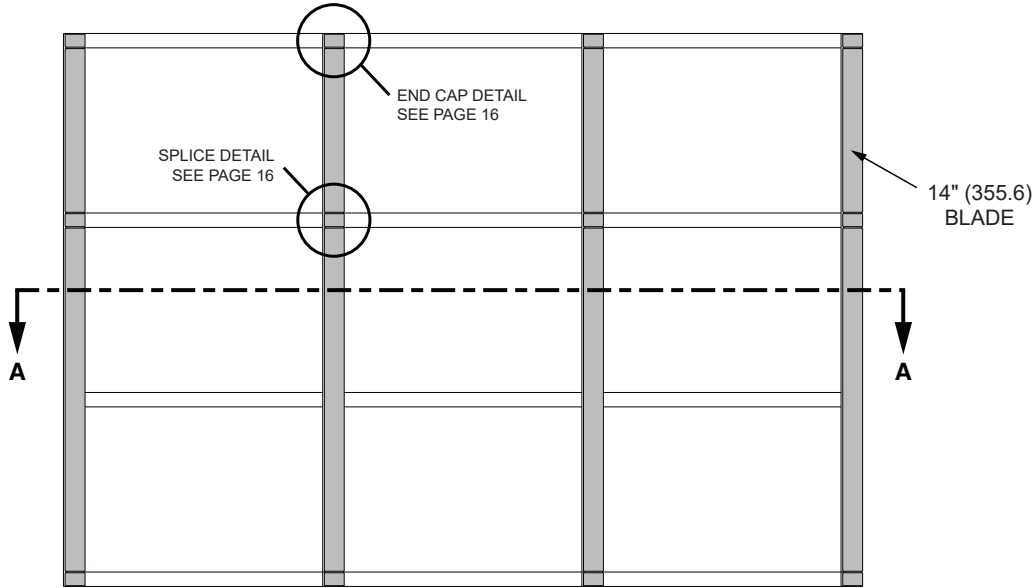
**NOTE: SEE PAGE 21 FOR
SUNSHADE BLADE OPTIONS**

Laws and building and safety codes governing the design and use of Kawneer products, such as glazed entrance, window, and curtain wall products, vary widely. Kawneer does not control the selection of product configurations, operating hardware, or glazing materials, and assumes no responsibility therefor.

Kawneer reserves the right to change configuration without prior notice when deemed necessary for product improvement.
© 2012, Kawneer Company, Inc.

Additional information and CAD details are available at www.kawneer.com

VERTICAL BLADE WITH 1600UT SYSTEM®1 TYPICAL ELEVATION



**NOTE: SEE PAGE 21 FOR
SUNSHADE BLADE OPTIONS**

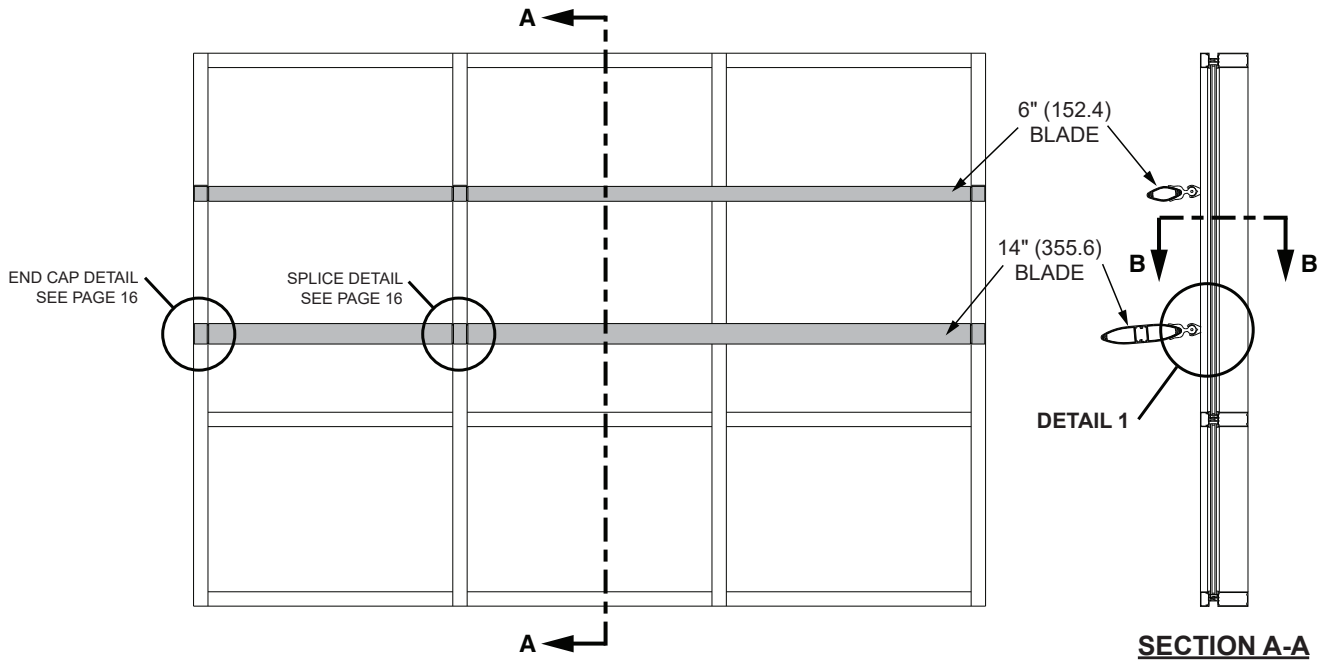
DETAIL 1

Laws and building and safety codes governing the design and use of Kawneer products, such as glazed entrance, window, and curtain wall products, vary widely. Kawneer does not control the selection of product configurations, operating hardware, or glazing materials, and assumes no responsibility therefor.

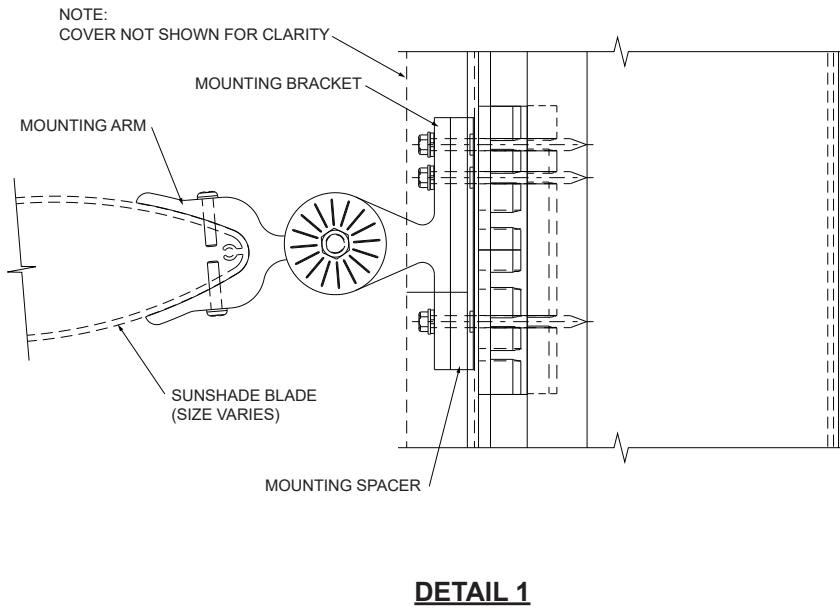
Kawneer reserves the right to change configuration without prior notice when deemed necessary for product improvement.
© 2012, Kawneer Company, Inc.

Additional information and CAD details are available at www.kawneer.com

HORIZONTAL BLADE WITH 1600UT SYSTEM®1 TYPICAL ELEVATION

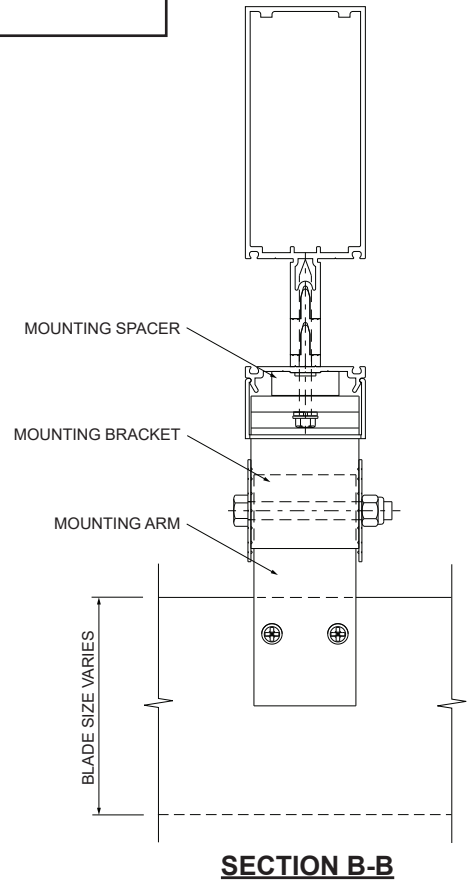


NOTE:
Horizontal sunshades are not recommended directly over entrances and walkways to eliminate any risk of injury due to falling ice or snow.



DETAIL 1

**NOTE: SEE PAGE 21 FOR
SUNSHADE BLADE OPTIONS**



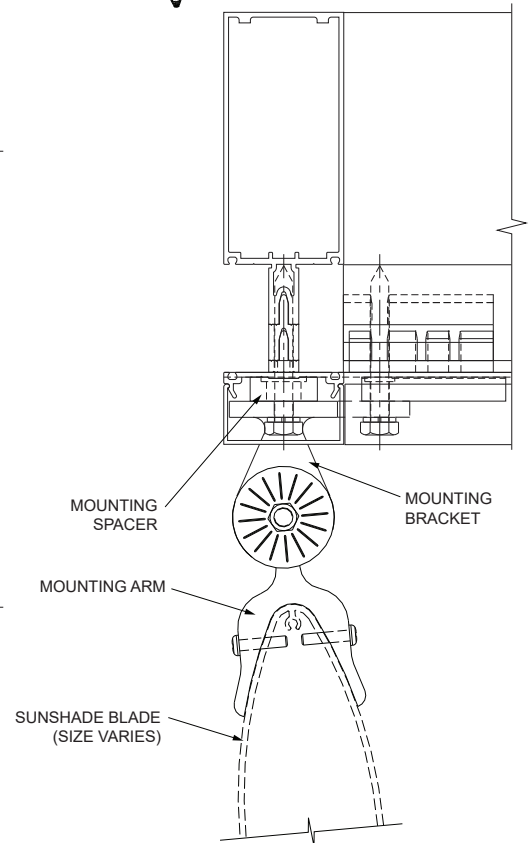
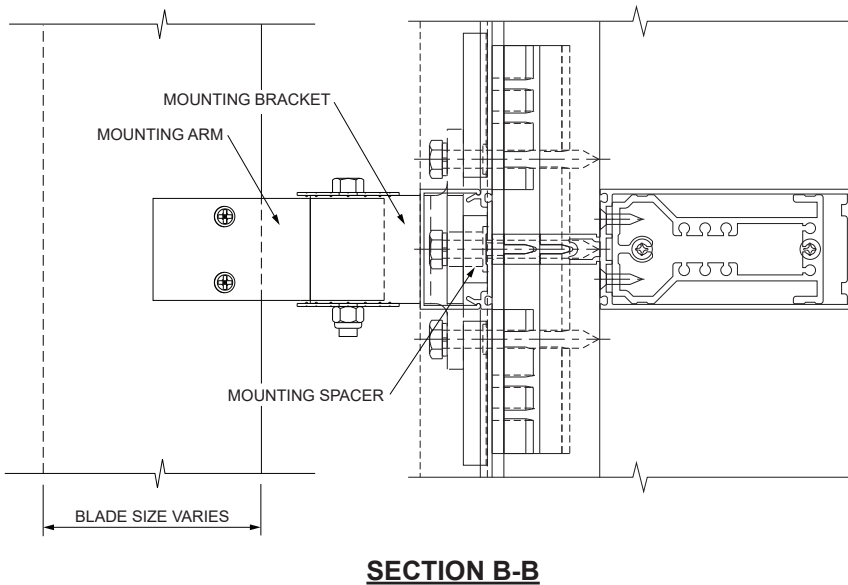
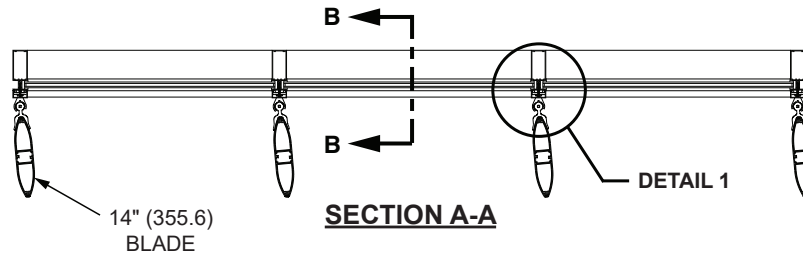
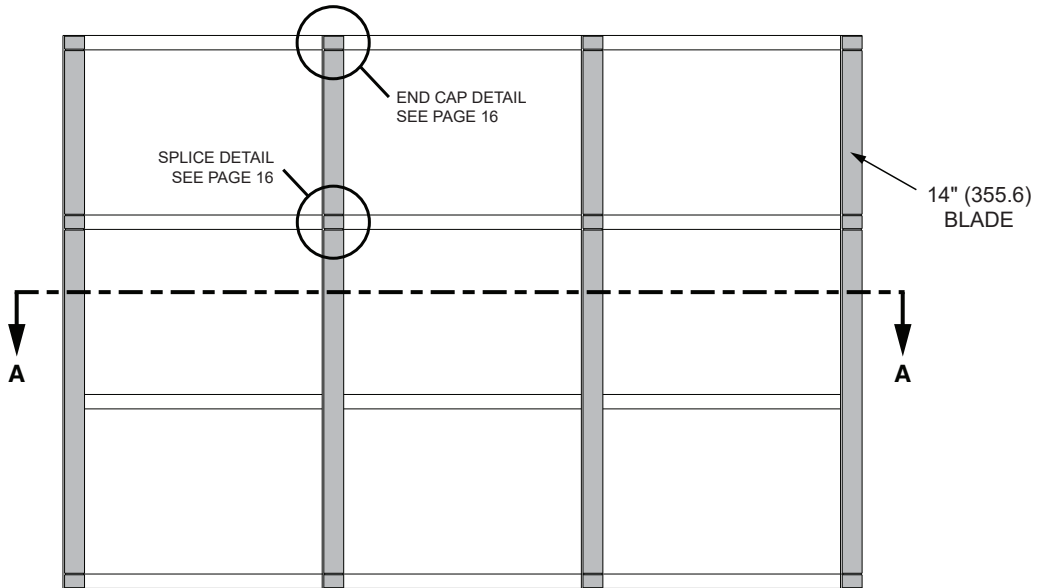
SECTION B-B

Laws and building and safety codes governing the design and use of Kawneer products, such as glazed entrance, window, and curtain wall products, vary widely. Kawneer does not control the selection of product configurations, operating hardware, or glazing materials, and assumes no responsibility therefor.

Kawneer reserves the right to change configuration without prior notice when deemed necessary for product improvement.
© 2012, Kawneer Company, Inc.

Additional information and CAD details are available at www.kawneer.com

VERTICAL BLADE WITH 1600UT SYSTEM®1 TYPICAL ELEVATION



**NOTE: SEE PAGE 21 FOR
SUNSHADE BLADE OPTIONS**

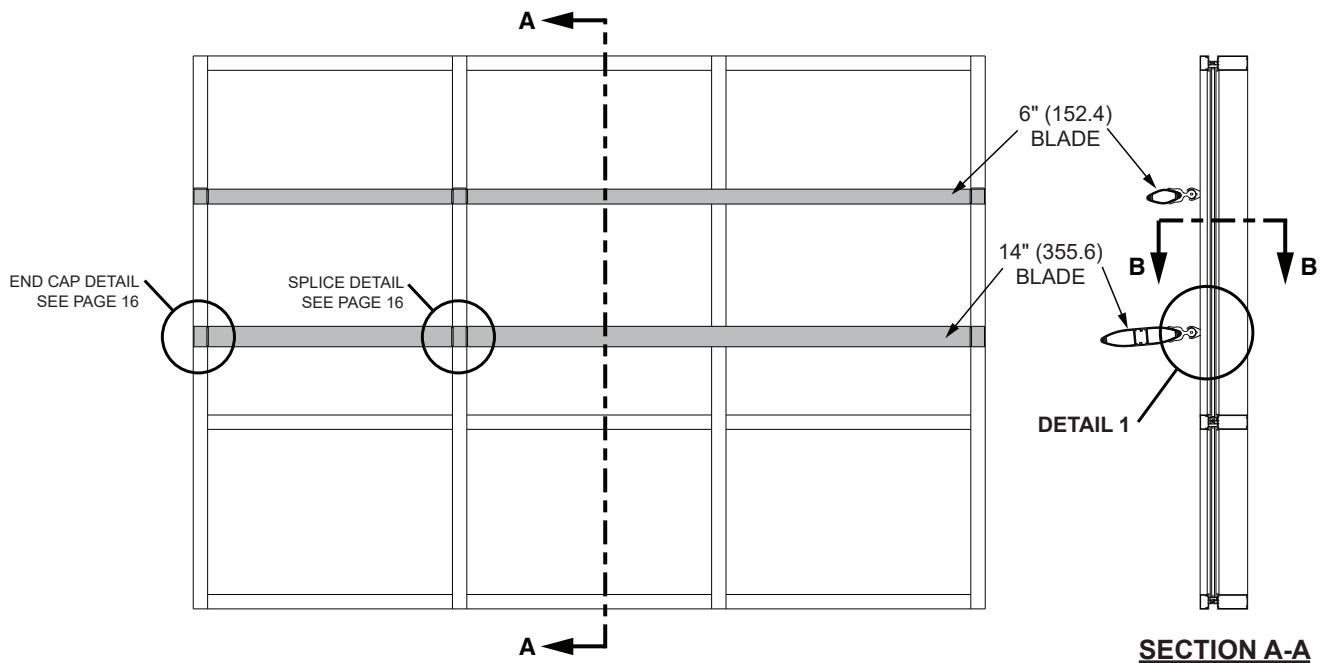
DETAIL 1

Laws and building and safety codes governing the design and use of Kawneer products, such as glazed entrance, window, and curtain wall products, vary widely. Kawneer does not control the selection of product configurations, operating hardware, or glazing materials, and assumes no responsibility therefor.

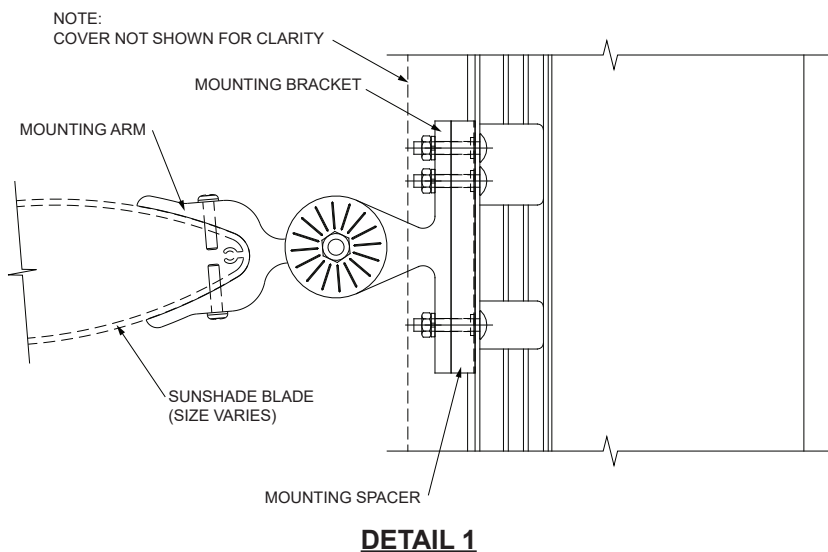
Kawneer reserves the right to change configuration without prior notice when deemed necessary for product improvement.
© 2012, Kawneer Company, Inc.

Additional information and CAD details are available at www.kawneer.com

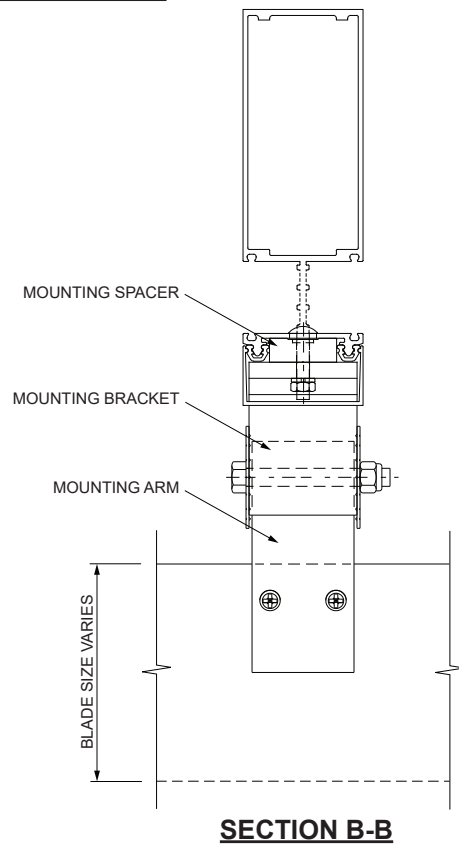
**HORIZONTAL BLADE WITH 1600 WALL SYSTEM®5
TYPICAL ELEVATION**



NOTE:
Horizontal sunshades are not recommended directly over entrances and walkways to eliminate any risk of injury due to falling ice or snow.



**NOTE: SEE PAGE 21 FOR
SUNSHADE BLADE OPTIONS**

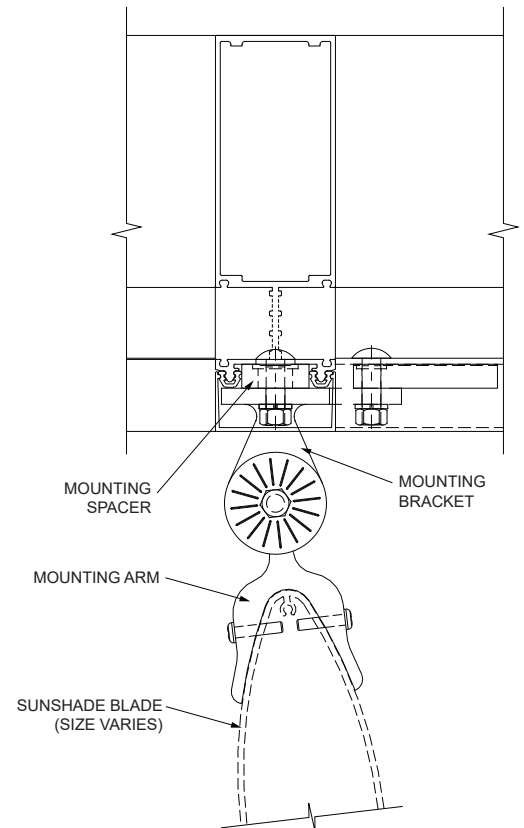
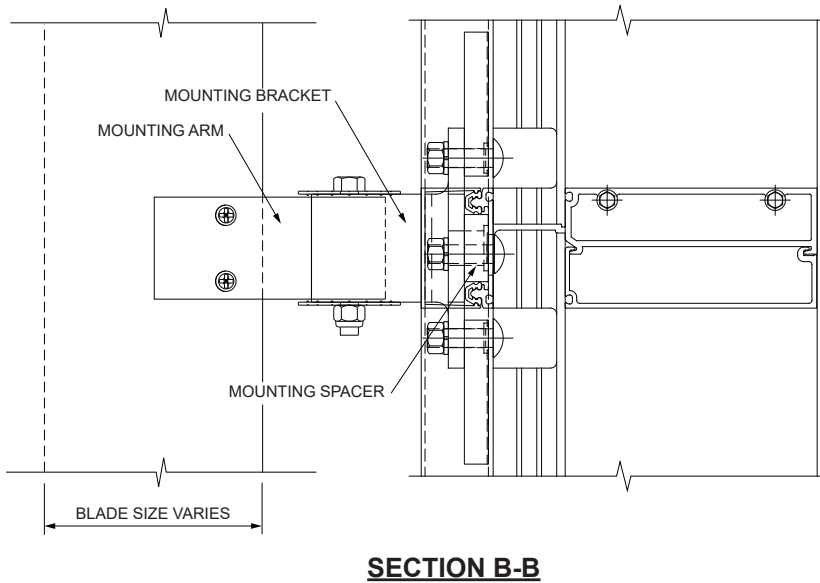
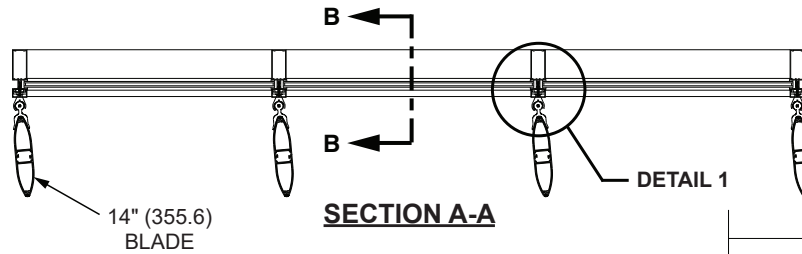
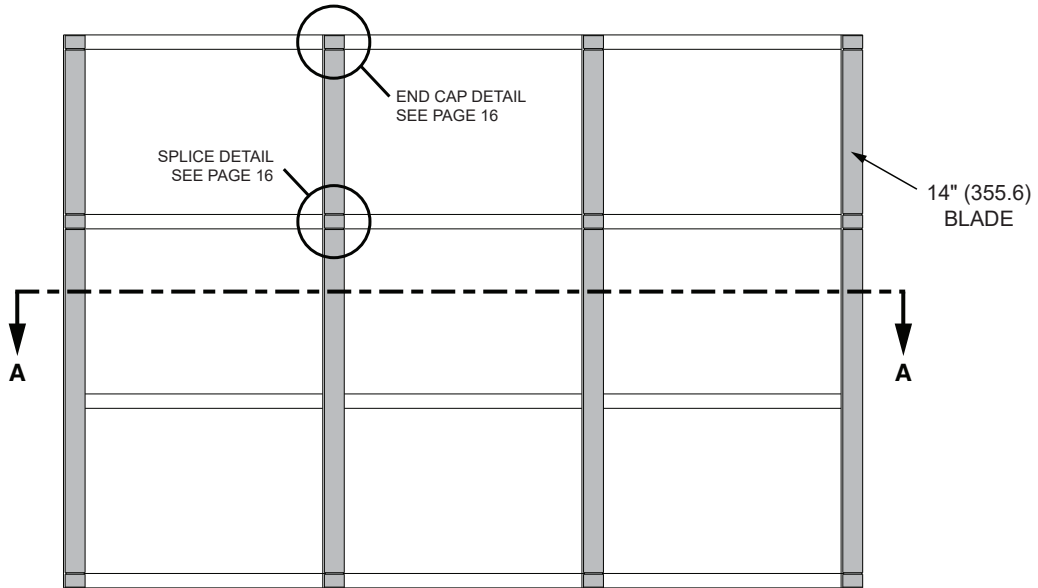


Laws and building and safety codes governing the design and use of Kawneer products, such as glazed entrance, window, and curtain wall products, vary widely. Kawneer does not control the selection of product configurations, operating hardware, or glazing materials, and assumes no responsibility therefor.

Kawneer reserves the right to change configuration without prior notice when deemed necessary for product improvement.
© 2012, Kawneer Company, Inc.

Additional information and CAD details are available at www.kawneer.com

VERTICAL BLADE WITH 1600 WALL SYSTEM®5 TYPICAL ELEVATION



**NOTE: SEE PAGE 21 FOR
SUNSHADE BLADE OPTIONS**

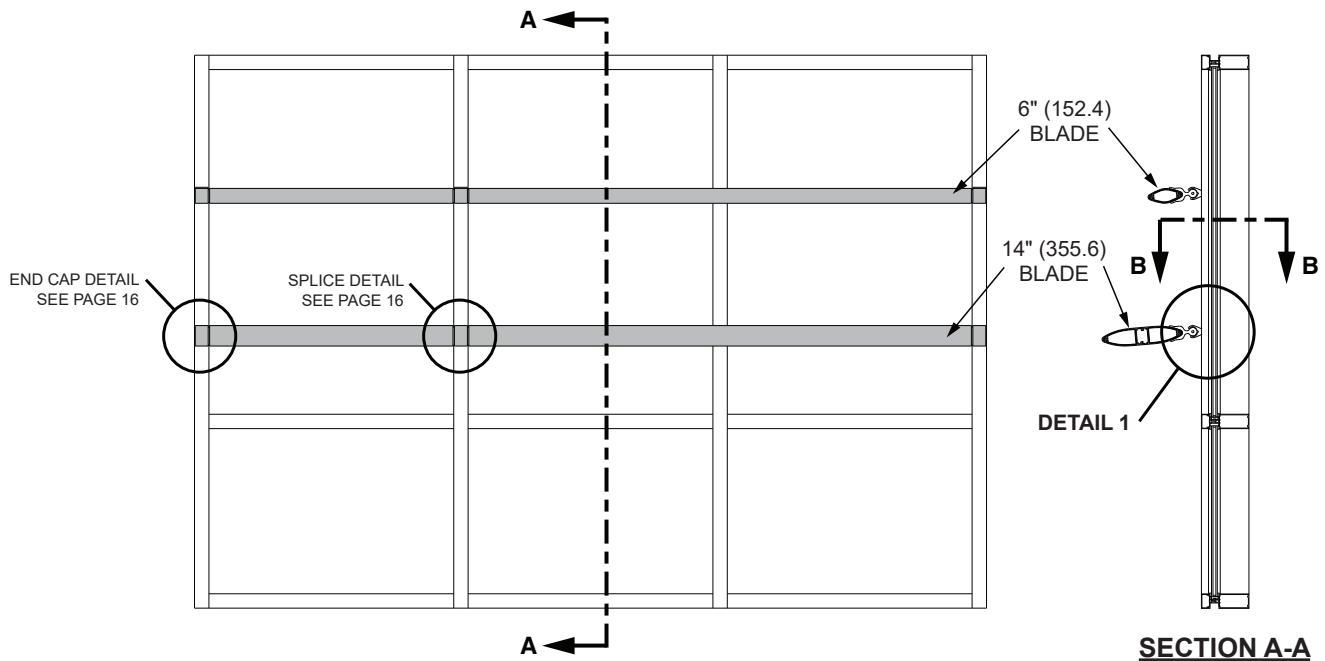
DETAIL 1

Laws and building and safety codes governing the design and use of Kawneer products, such as glazed entrance, window, and curtain wall products, vary widely. Kawneer does not control the selection of product configurations, operating hardware, or glazing materials, and assumes no responsibility therefor.

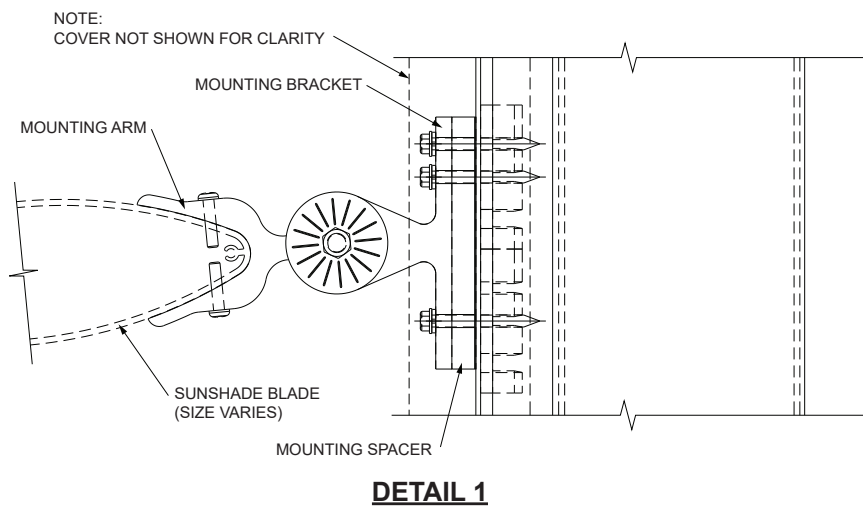
Kawneer reserves the right to change configuration without prior notice when deemed necessary for product improvement.
© 2012, Kawneer Company, Inc.

Additional information and CAD details are available at www.kawneer.com

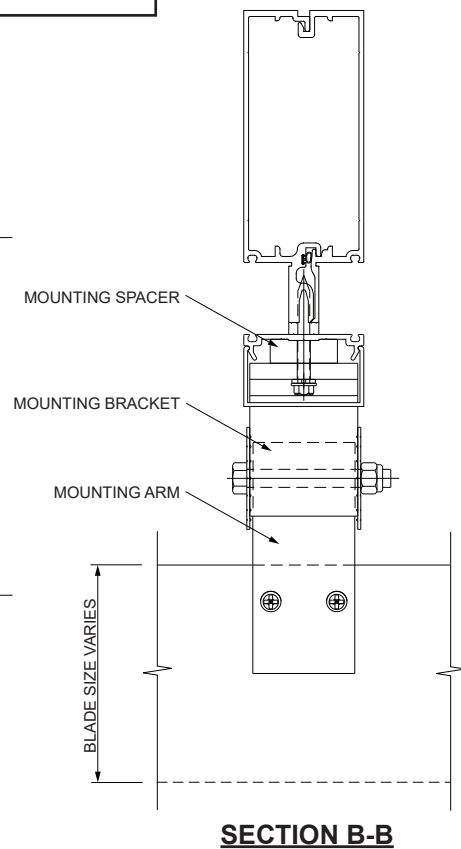
HORIZONTAL BLADE WITH 1600 SS® (CAPTURED) TYPICAL ELEVATION



NOTE:
Horizontal sunshades are not recommended directly over entrances and walkways to eliminate any risk of injury due to falling ice or snow.



**NOTE: SEE PAGE 21 FOR
SUNSHADE BLADE OPTIONS**

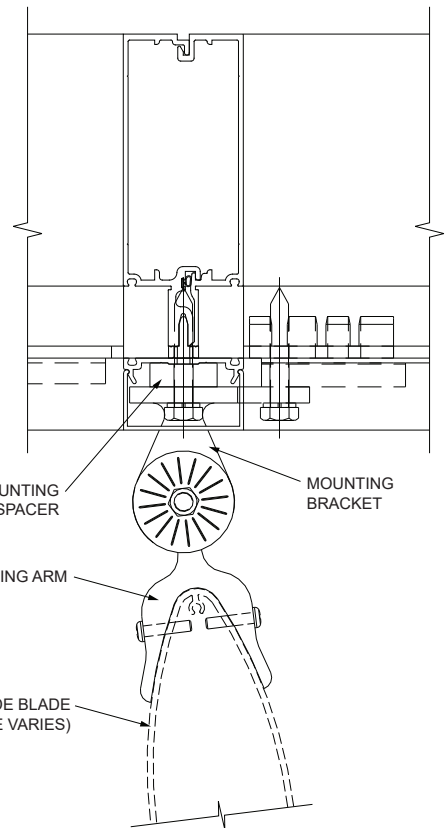
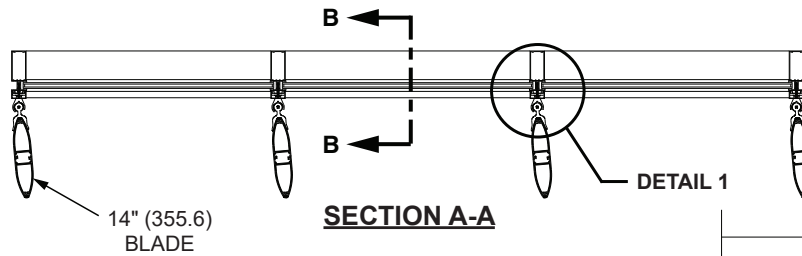
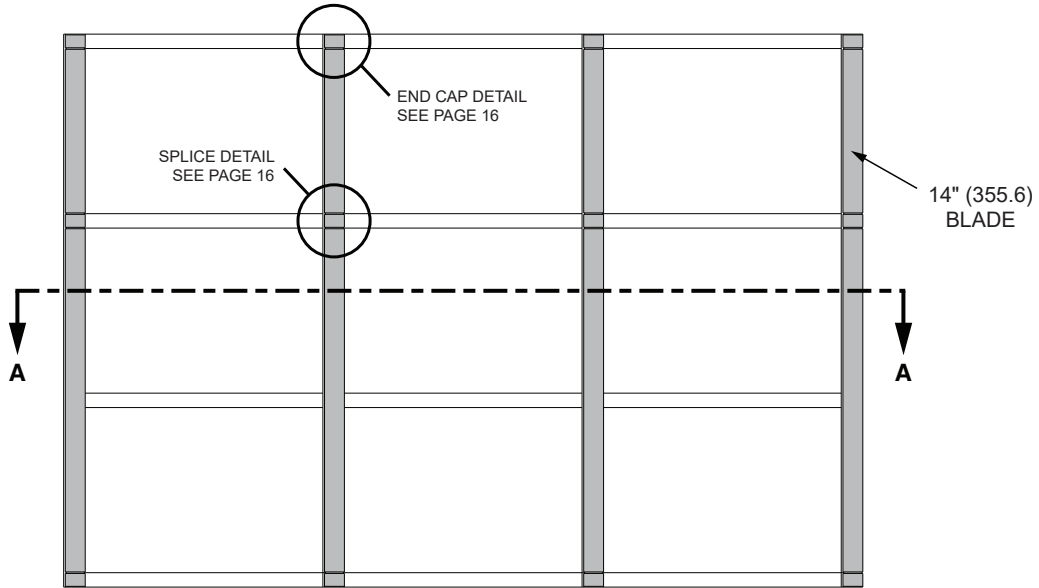


Laws and building and safety codes governing the design and use of Kawneer products, such as glazed entrance, window, and curtain wall products, vary widely. Kawneer does not control the selection of product configurations, operating hardware, or glazing materials, and assumes no responsibility therefor.

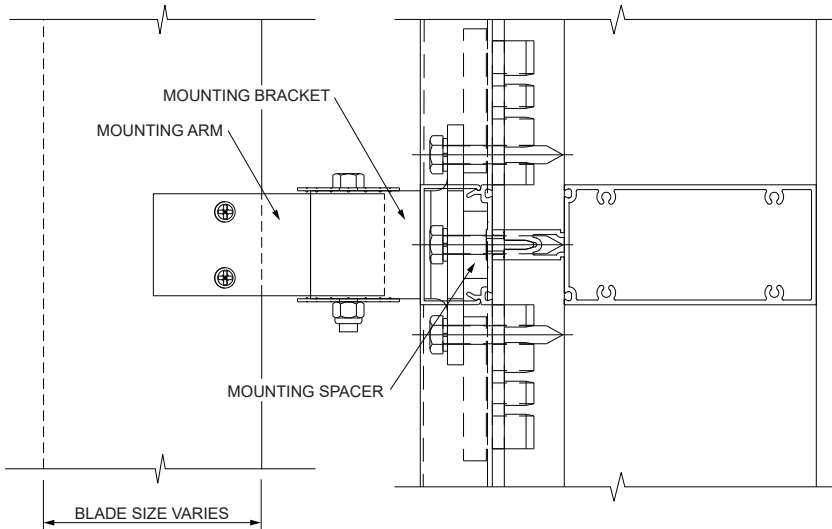
Kawneer reserves the right to change configuration without prior notice when deemed necessary for product improvement.
© 2012, Kawneer Company, Inc.

Additional information and CAD details are available at www.kawneer.com

VERTICAL BLADE WITH 1600 SS® (CAPTURED) TYPICAL ELEVATION



DETAIL 1



SECTION B-B

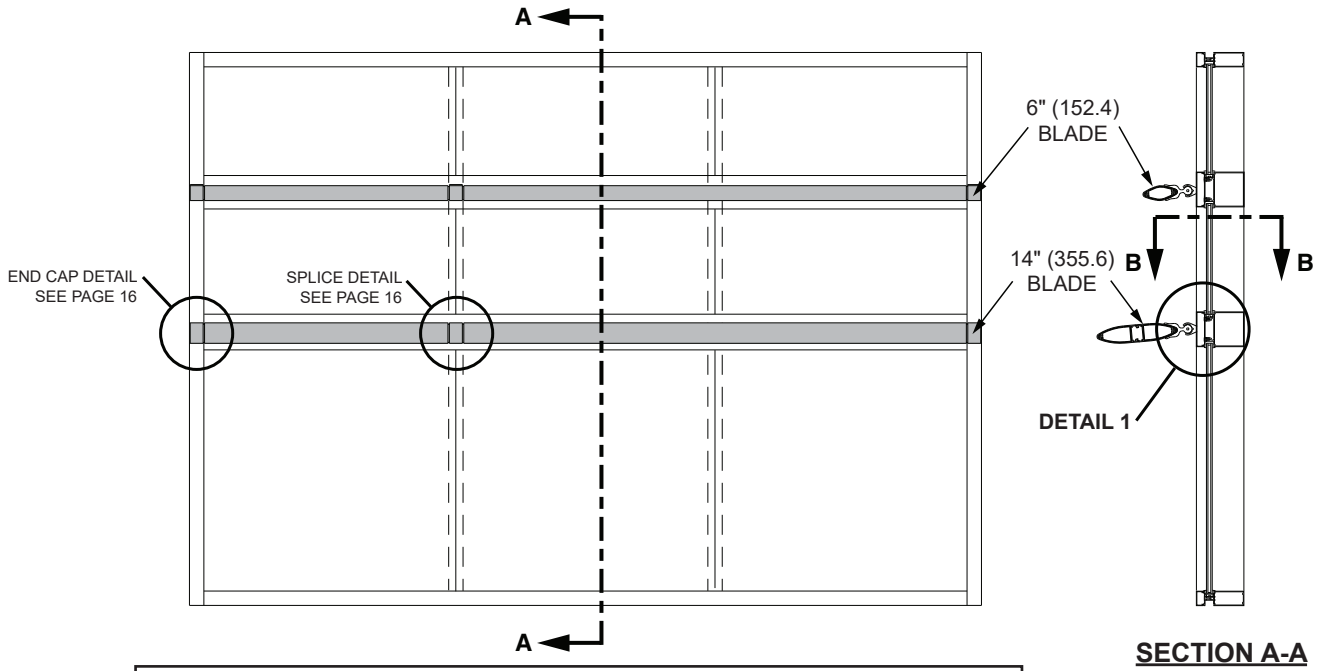
**NOTE: SEE PAGE 21 FOR
SUNSHADE BLADE OPTIONS**

Laws and building and safety codes governing the design and use of Kawneer products, such as glazed entrance, window, and curtain wall products, vary widely. Kawneer does not control the selection of product configurations, operating hardware, or glazing materials, and assumes no responsibility therefor.

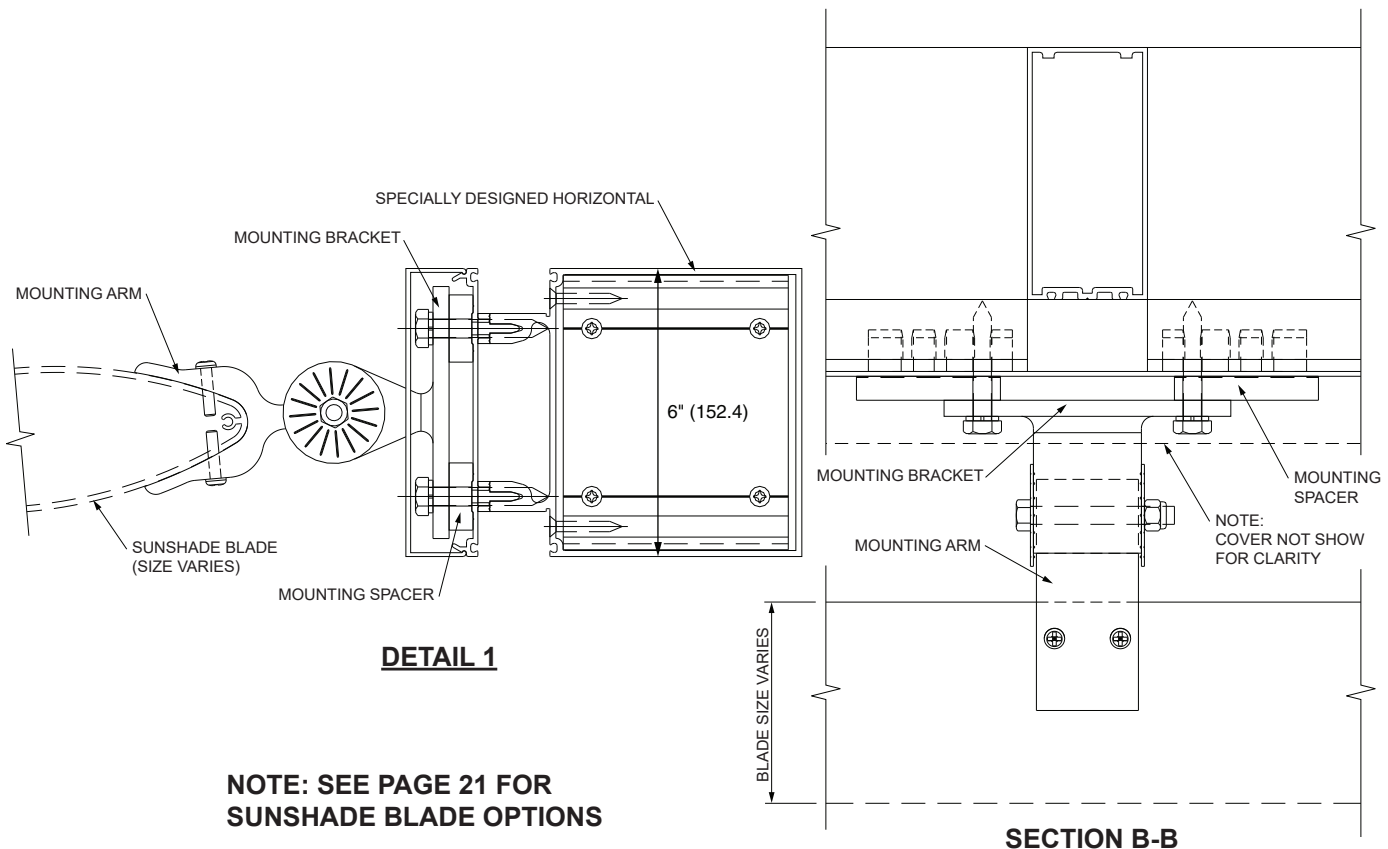
Kawneer reserves the right to change configuration without prior notice when deemed necessary for product improvement.
© 2012, Kawneer Company, Inc.

Additional information and CAD details are available at www.kawneer.com

**HORIZONTAL BLADE WITH 1600 SYSTEM®2 SSG
TYPICAL ELEVATION**



NOTE:
Horizontal sunshades are not recommended directly over entrances and walkways to eliminate any risk of injury due to falling ice or snow.



**NOTE: SEE PAGE 21 FOR
SUNSHADE BLADE OPTIONS**

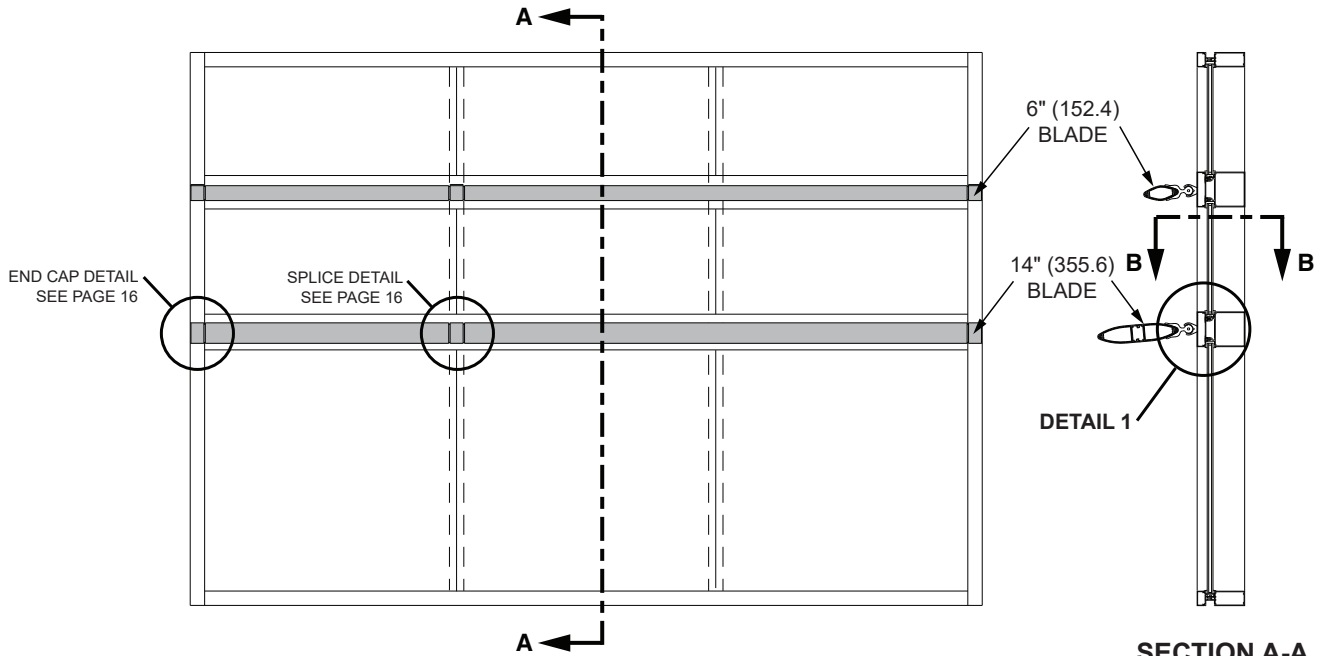
1600 Wall System®1 members are used at the jambs.

Laws and building and safety codes governing the design and use of Kawneer products, such as glazed entrance, window, and curtain wall products, vary widely. Kawneer does not control the selection of product configurations, operating hardware, or glazing materials, and assumes no responsibility therefor.

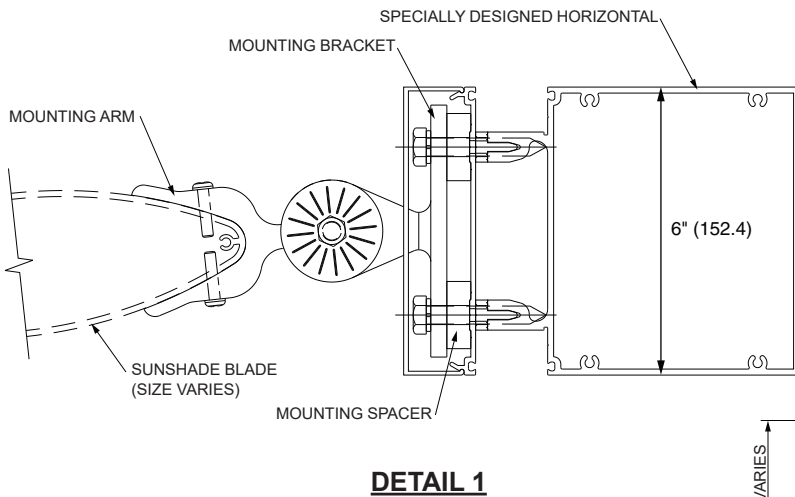
Kawneer reserves the right to change configuration without prior notice when deemed necessary for product improvement.
© 2012, Kawneer Company, Inc.

Additional information and CAD details are available at www.kawneer.com

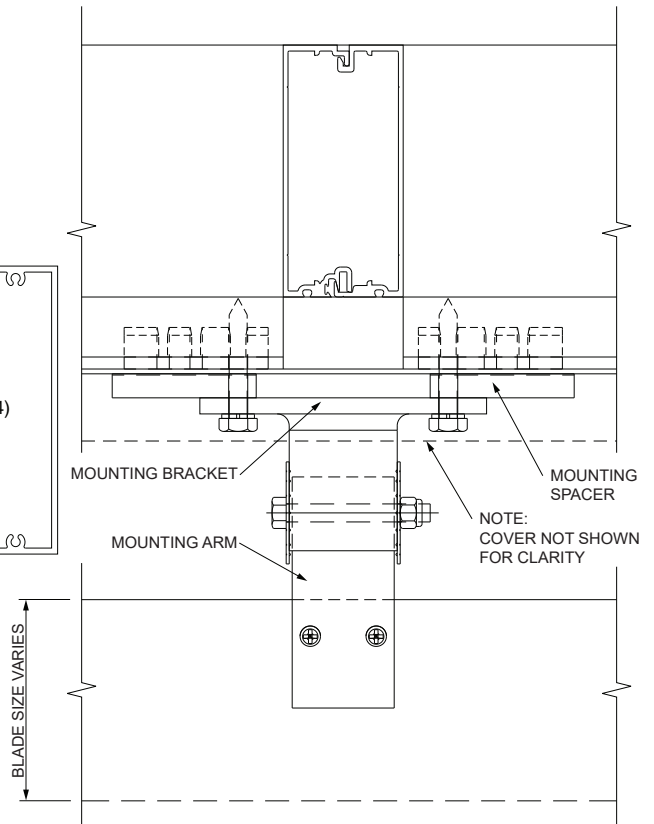
HORIZONTAL BLADE WITH 1600 SS® SSG TYPICAL ELEVATION



NOTE:
Horizontal sunshades are not recommended directly over entrances and walkways to eliminate any risk of injury due to falling ice or snow.



**NOTE: SEE PAGE 21 FOR
SUNSHADE BLADE OPTIONS**

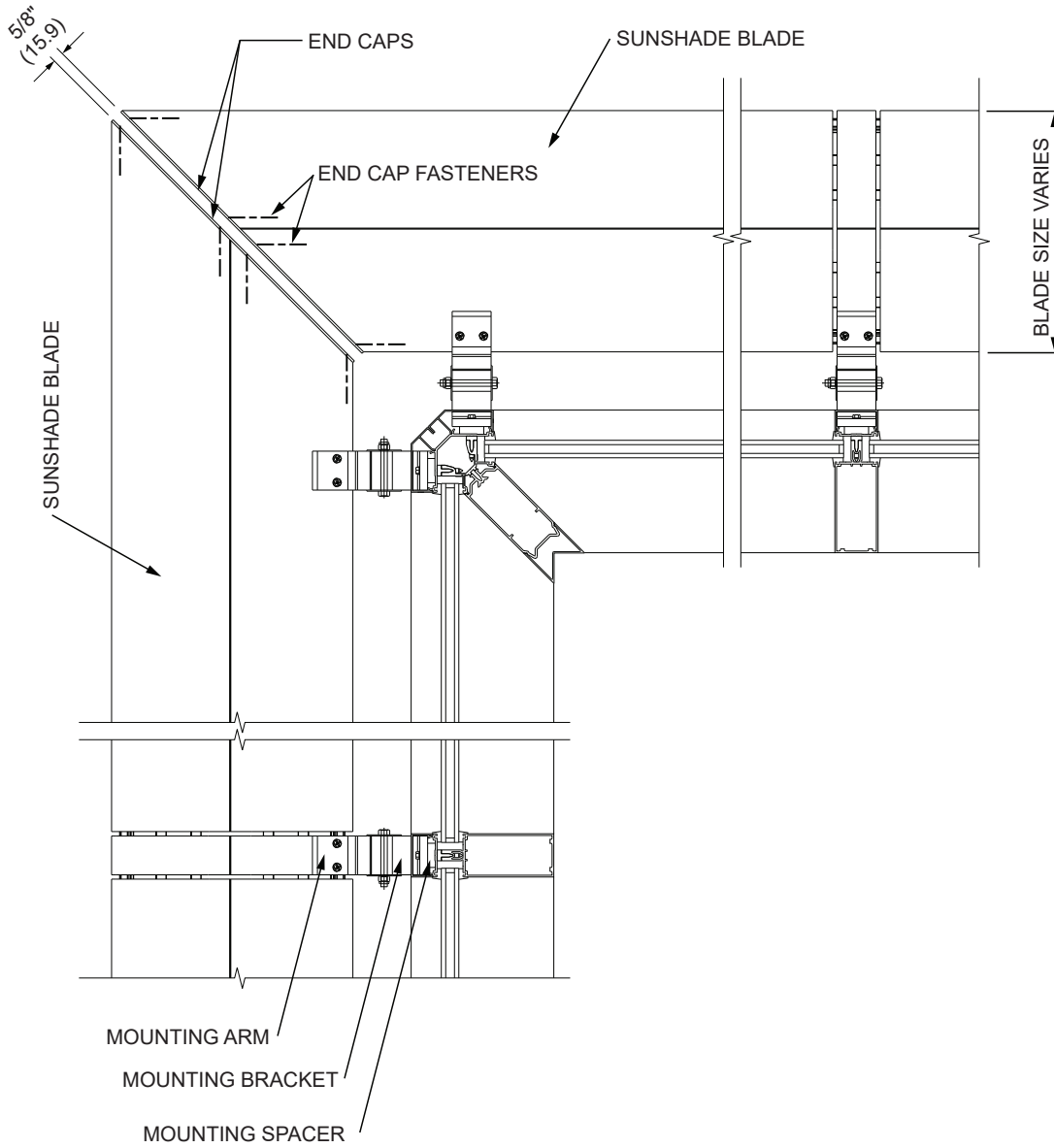


1600 SS Wall System members are used at the jambs.

Laws and building and safety codes governing the design and use of Kawneer products, such as glazed entrance, window, and curtain wall products, vary widely. Kawneer does not control the selection of product configurations, operating hardware, or glazing materials, and assumes no responsibility therefor.

Kawneer reserves the right to change configuration without prior notice when deemed necessary for product improvement.
© 2012, Kawneer Company, Inc.

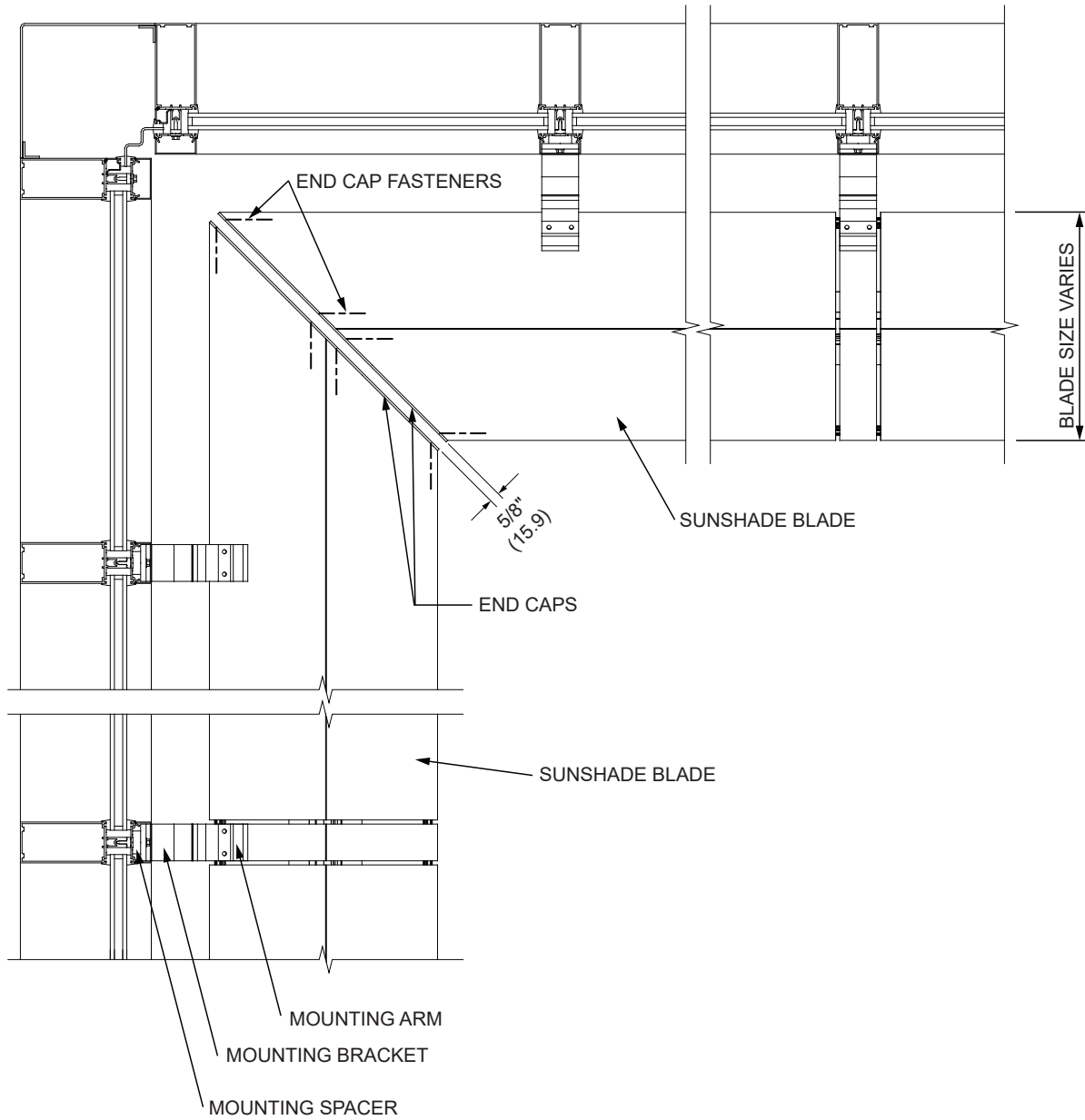
NOTE:
1600 WALL SYSTEM®1 SHOWN, OTHER SYSTEMS SIMILAR



Laws and building and safety codes governing the design and use of Kawneer products, such as glazed entrance, window, and curtain wall products, vary widely. Kawneer does not control the selection of product configurations, operating hardware, or glazing materials, and assumes no responsibility therefor.

Kawneer reserves the right to change configuration without prior notice when deemed necessary for product improvement.
© 2012, Kawneer Company, Inc.

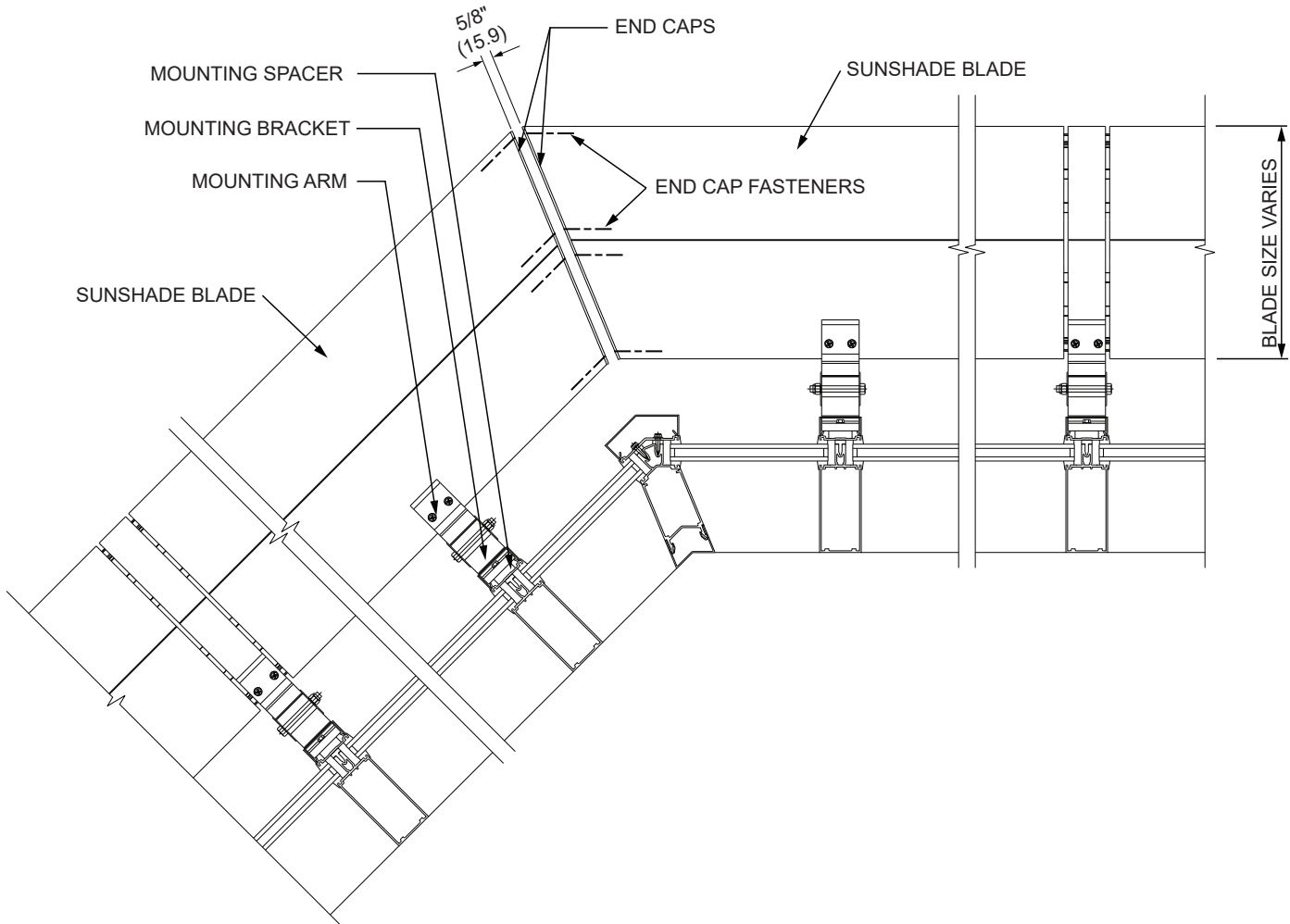
**NOTE:
1600 WALL SYSTEM®1 SHOWN, OTHER SYSTEMS SIMILAR**



Laws and building and safety codes governing the design and use of Kawneer products, such as glazed entrance, window, and curtain wall products, vary widely. Kawneer does not control the selection of product configurations, operating hardware, or glazing materials, and assumes no responsibility therefor.

Kawneer reserves the right to change configuration without prior notice when deemed necessary for product improvement.
© 2012, Kawneer Company, Inc.

**NOTE:
1600 WALL SYSTEM®1 SHOWN, OTHER SYSTEMS SIMILAR**



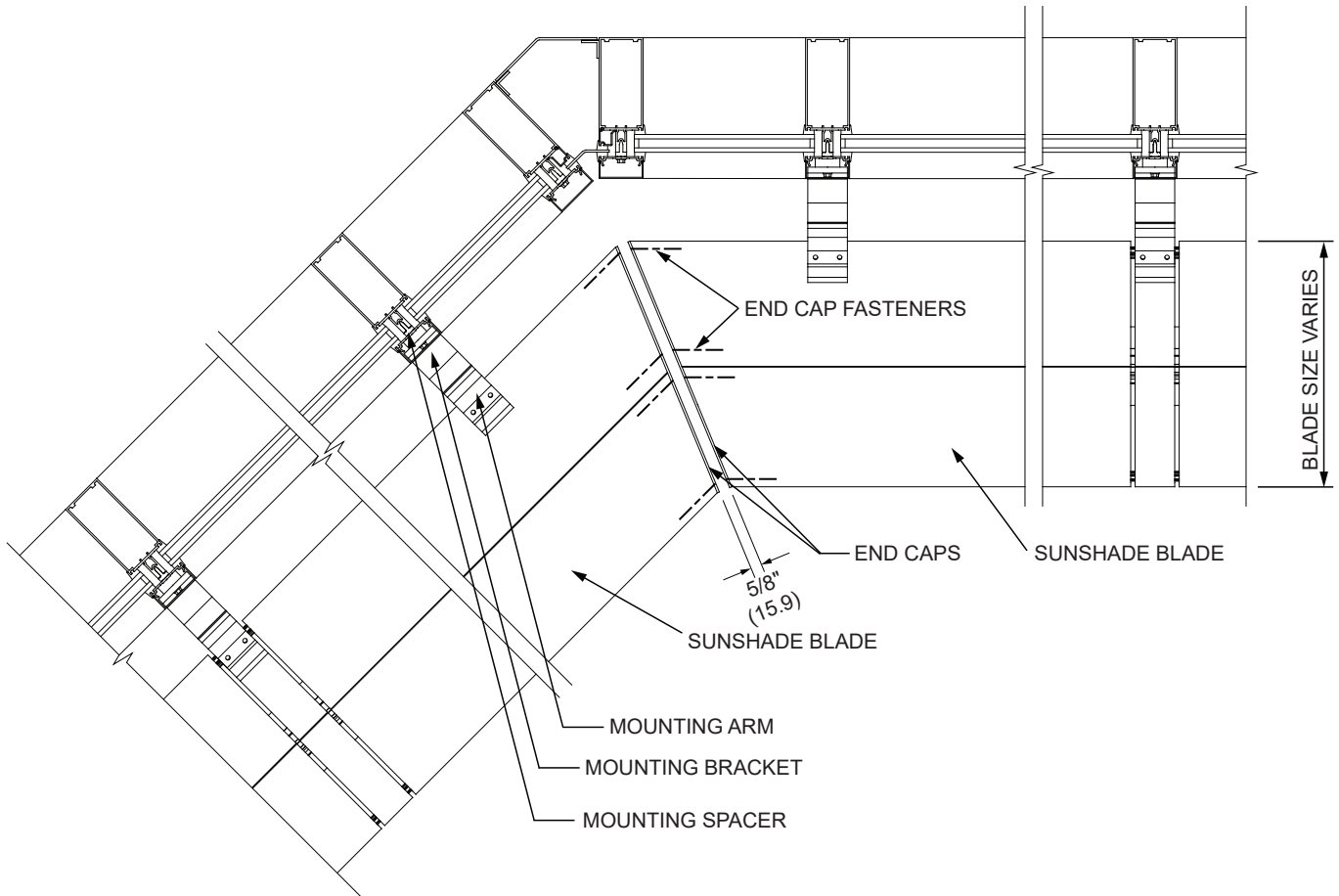
Laws and building and safety codes governing the design and use of Kawneer products, such as glazed entrance, window, and curtain wall products, vary widely. Kawneer does not control the selection of product configurations, operating hardware, or glazing materials, and assumes no responsibility therefor.

Kawneer reserves the right to change configuration without prior notice when deemed necessary for product improvement.
© 2012, Kawneer Company, Inc.

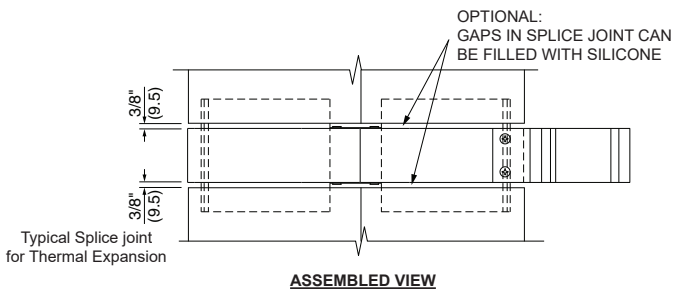
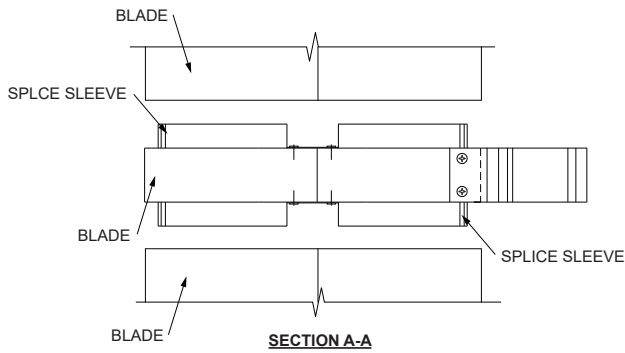
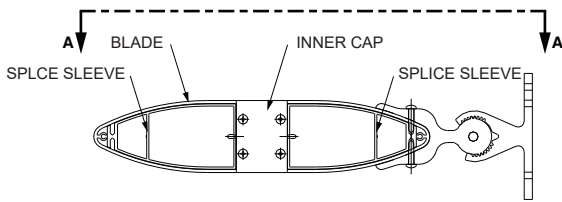
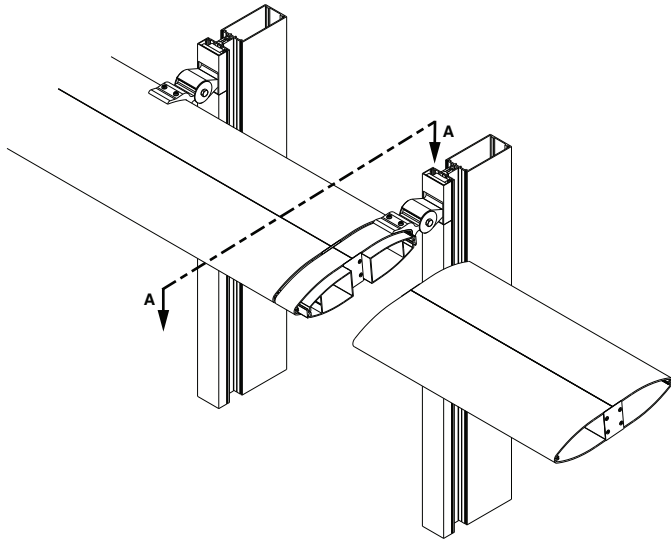
NOTE:
1600 WALL SYSTEM®1 SHOWN, OTHER SYSTEMS SIMILAR

Laws and building and safety codes governing the design and use of Kawneer products, such as glazed entrance, window, and curtain wall products, vary widely. Kawneer does not control the selection of product configurations, operating hardware, or glazing materials, and assumes no responsibility therefor.

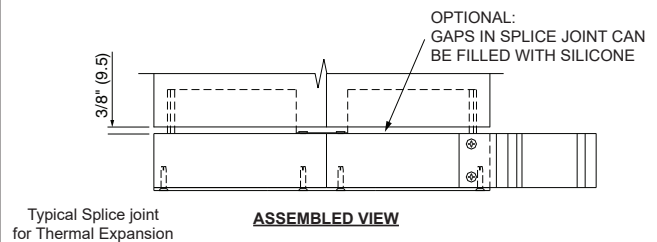
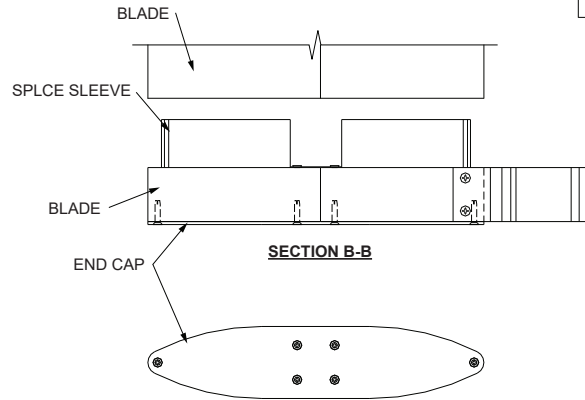
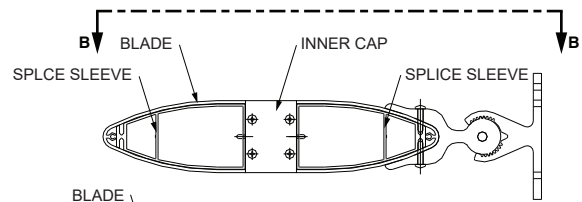
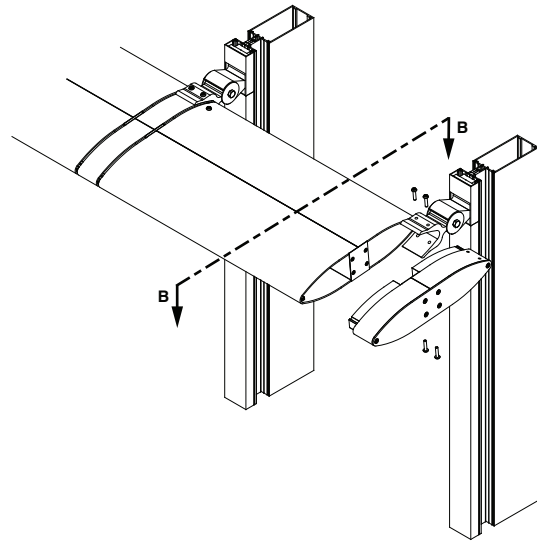
Kawneer reserves the right to change configuration without prior notice when deemed necessary for product improvement.
© 2012, Kawneer Company, Inc.



SPLICE JOINT ASSEMBLY



END CAP ASSEMBLY

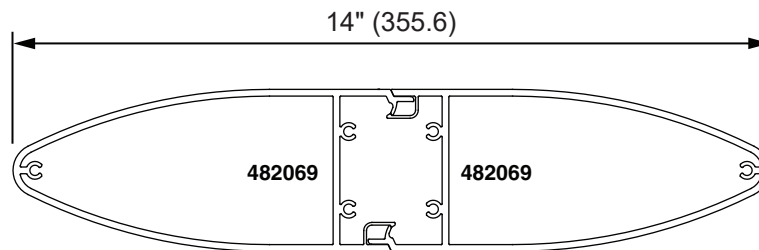
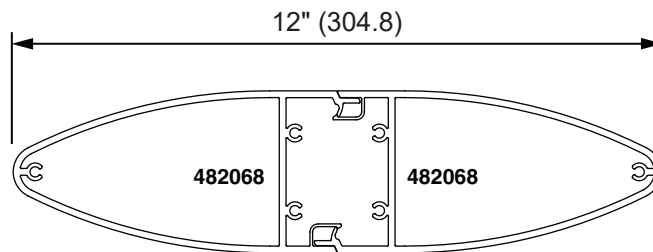
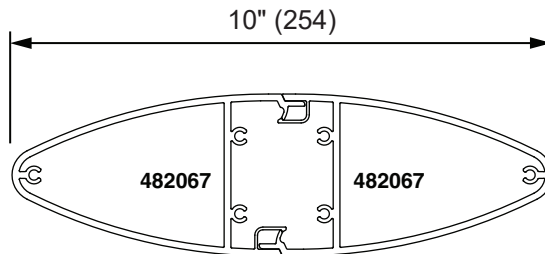
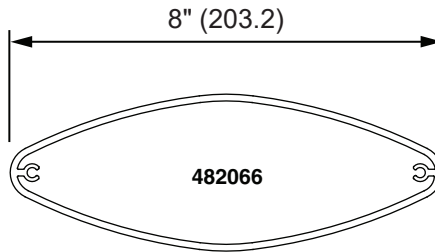
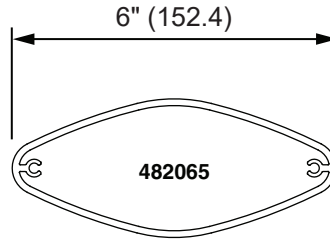


Laws and building and safety codes governing the design and use of Kawneer products, such as glazed entrance, window, and curtain wall products, vary widely. Kawneer does not control the selection of product configurations, operating hardware, or glazing materials, and assumes no responsibility therefor.

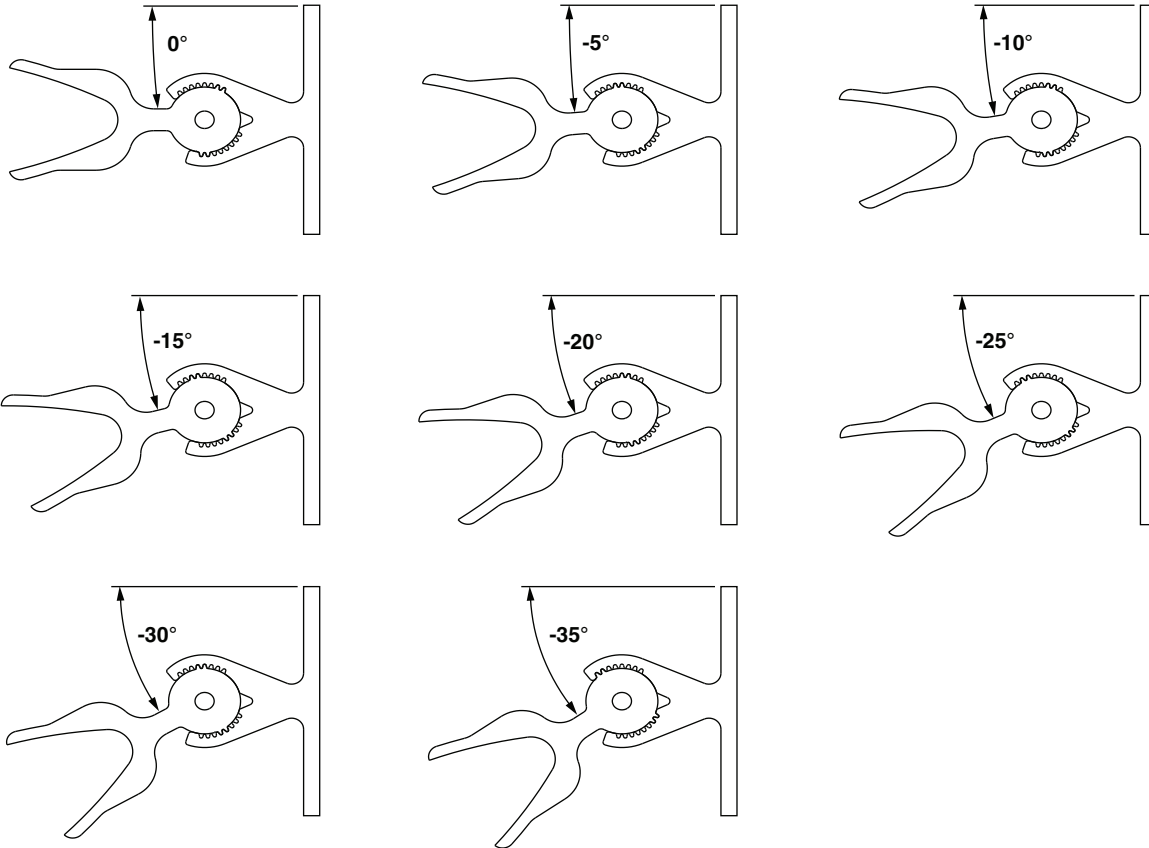
Kawneer reserves the right to change configuration without prior notice when deemed necessary for product improvement.
© 2012, Kawneer Company, Inc.

Laws and building and safety codes governing the design and use of Kawneer products, such as glazed entrance, window, and curtain wall products, vary widely. Kawneer does not control the selection of product configurations, operating hardware, or glazing materials, and assumes no responsibility therefor.

Kawneer reserves the right to change configuration without prior notice when deemed necessary for product improvement.
© 2012, Kawneer Company, Inc.



ANGLES FOR HORIZONTAL SINGLE BLADE APPLICATIONS
0° TO -35° ROTATION

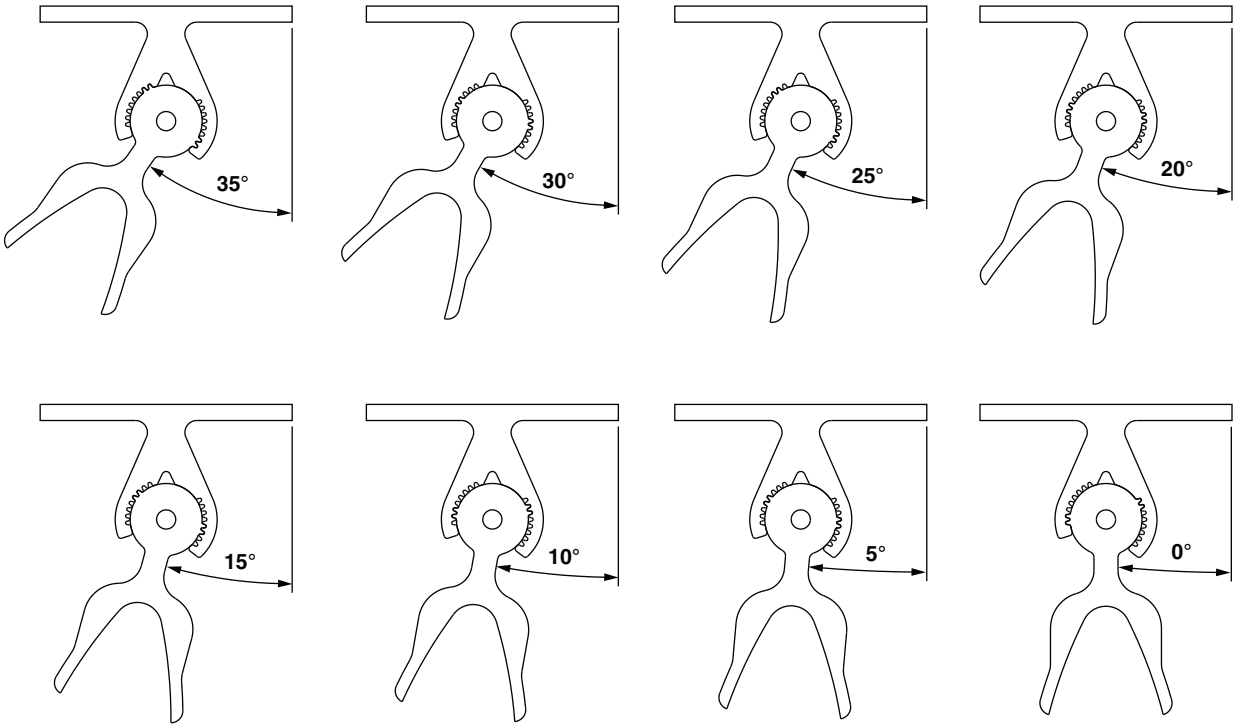


NOTE:
MOUNTING BRACKET AND MOUNTING ARM ARE AVAILABLE IN PAINTED
FINISH ONLY AND WILL BE FINISHED TO MATCH ANODIZED FINISH

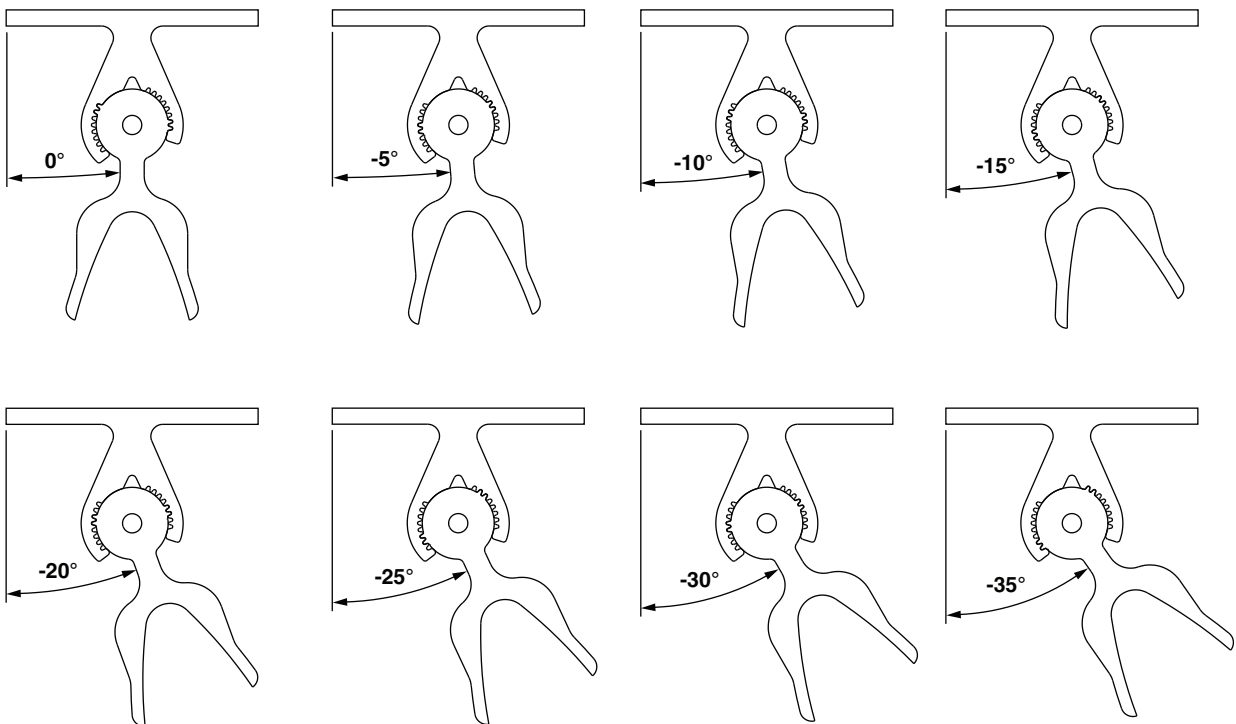
Laws and building and safety codes governing the design and use of Kawneer products, such as glazed entrance, window, and curtain wall products, vary widely. Kawneer does not control the selection of product configurations, operating hardware, or glazing materials, and assumes no responsibility therefor.

Kawneer reserves the right to change configuration without prior notice when deemed necessary for product improvement.
© 2012, Kawneer Company, Inc.

ANGLES FOR VERTICAL SINGLE BLADE APPLICATIONS 35° TO 0° ROTATION



ANGLES FOR VERTICAL SINGLE BLADE APPLICATIONS 0° TO -35° ROTATION



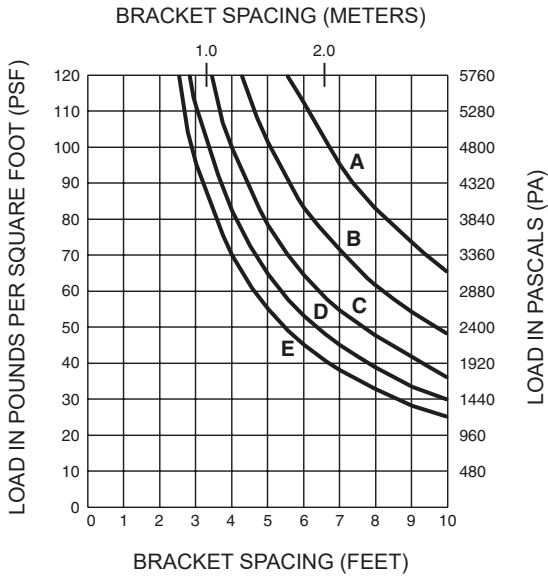
NOTE: MOUNTING BRACKET AND MOUNTING ARM ARE AVAILABLE IN PAINTED FINISH ONLY AND WILL BE FINISHED TO MATCH ANODIZED FINISH

Laws and building and safety codes governing the design and use of Kawneer products, such as glazed entrance, window, and curtain wall products, vary widely. Kawneer does not control the selection of product configurations, operating hardware, or glazing materials, and assumes no responsibility therefor.

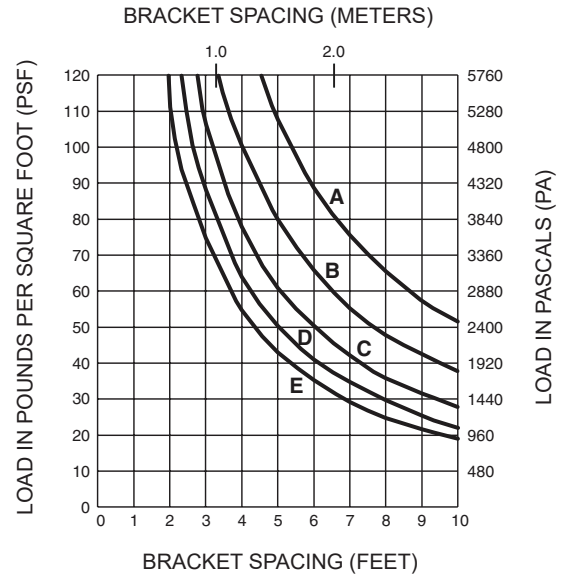
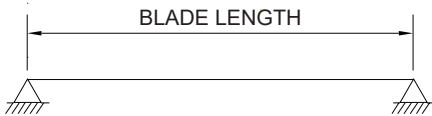
Kawneer reserves the right to change configuration without prior notice when deemed necessary for product improvement.
© 2012, Kawneer Company, Inc.

LOAD IS A COMBINATION OF ALL APPLIED LOADS, SUCH AS WIND, SNOW, ICE, ETC. ACTING PERPENDICULAR TO THE BLADE. CHARTS HAVE BEEN ADJUSTED TO ACCOUNT FOR THE DEAD LOADS OF THE BLADES. THEREFORE DEAD LOADS DO NOT NEED TO BE INCLUDED IN LOAD DETERMINATION. CHARTS ARE BASED ON A MAXIMUM LOAD ON THE ANCHOR BRACKET (INCLUDING DEAD LOAD) OF 350 LBS (157 KG).

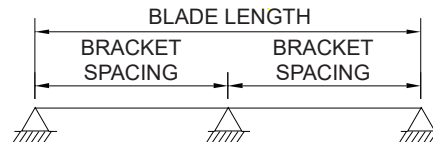
- A = 6 INCH (152.4) BLADE**
- B = 8 INCH (203.2) BLADE**
- C = 10 INCH (254) BLADE**
- D = 12 INCH (304.8) BLADE**
- E = 14 INCH (355.6) BLADE**



**SINGLE SPAN
HORIZONTAL AND VERTICAL**



**TWIN SPAN
HORIZONTAL AND VERTICAL**



Laws and building and safety codes governing the design and use of Kawneer products, such as glazed entrance, window, and curtain wall products, vary widely. Kawneer does not control the selection of product configurations, operating hardware, or glazing materials, and assumes no responsibility therefor.

Kawneer reserves the right to change configuration without prior notice when deemed necessary for product improvement.
© 2012, Kawneer Company, Inc.